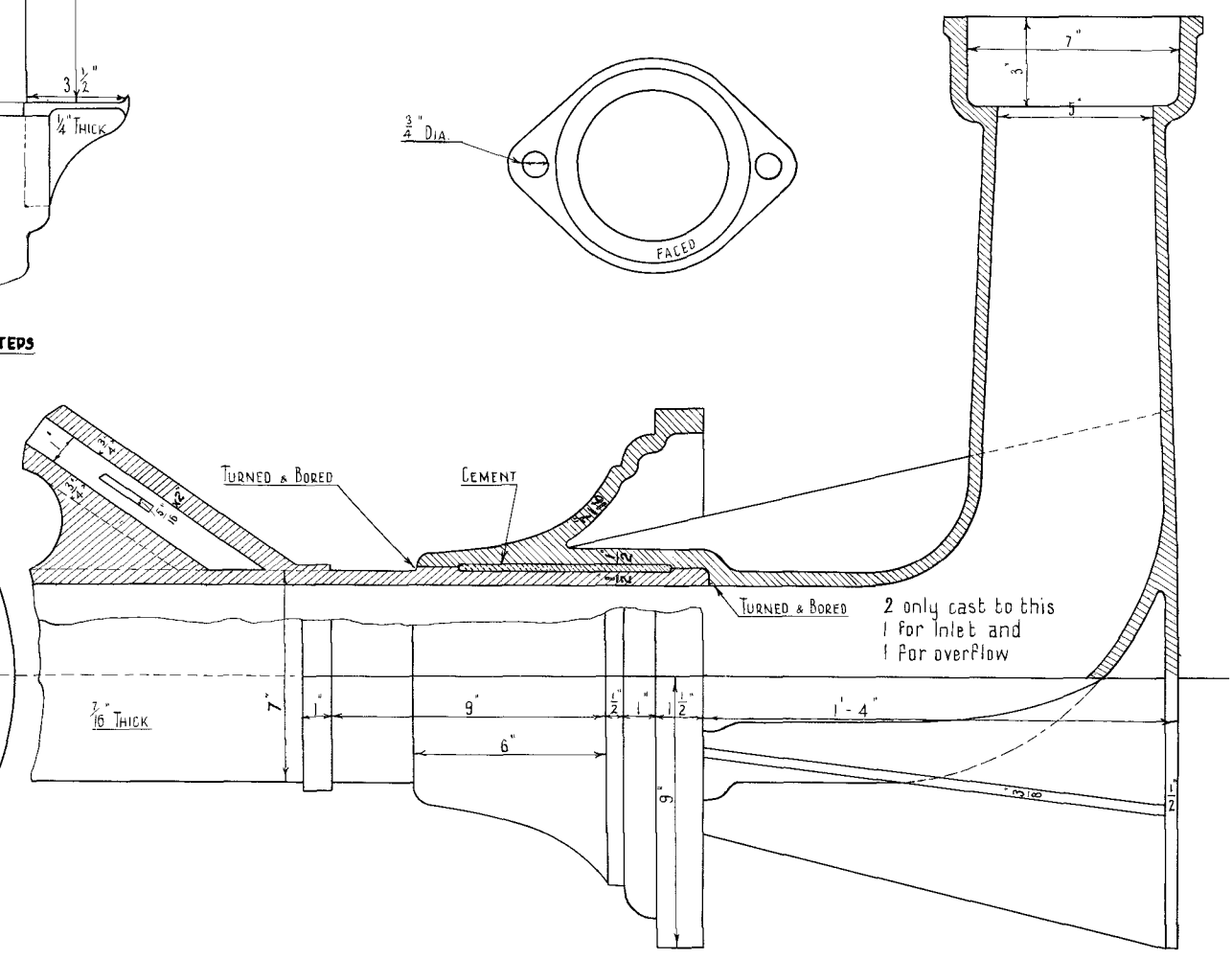
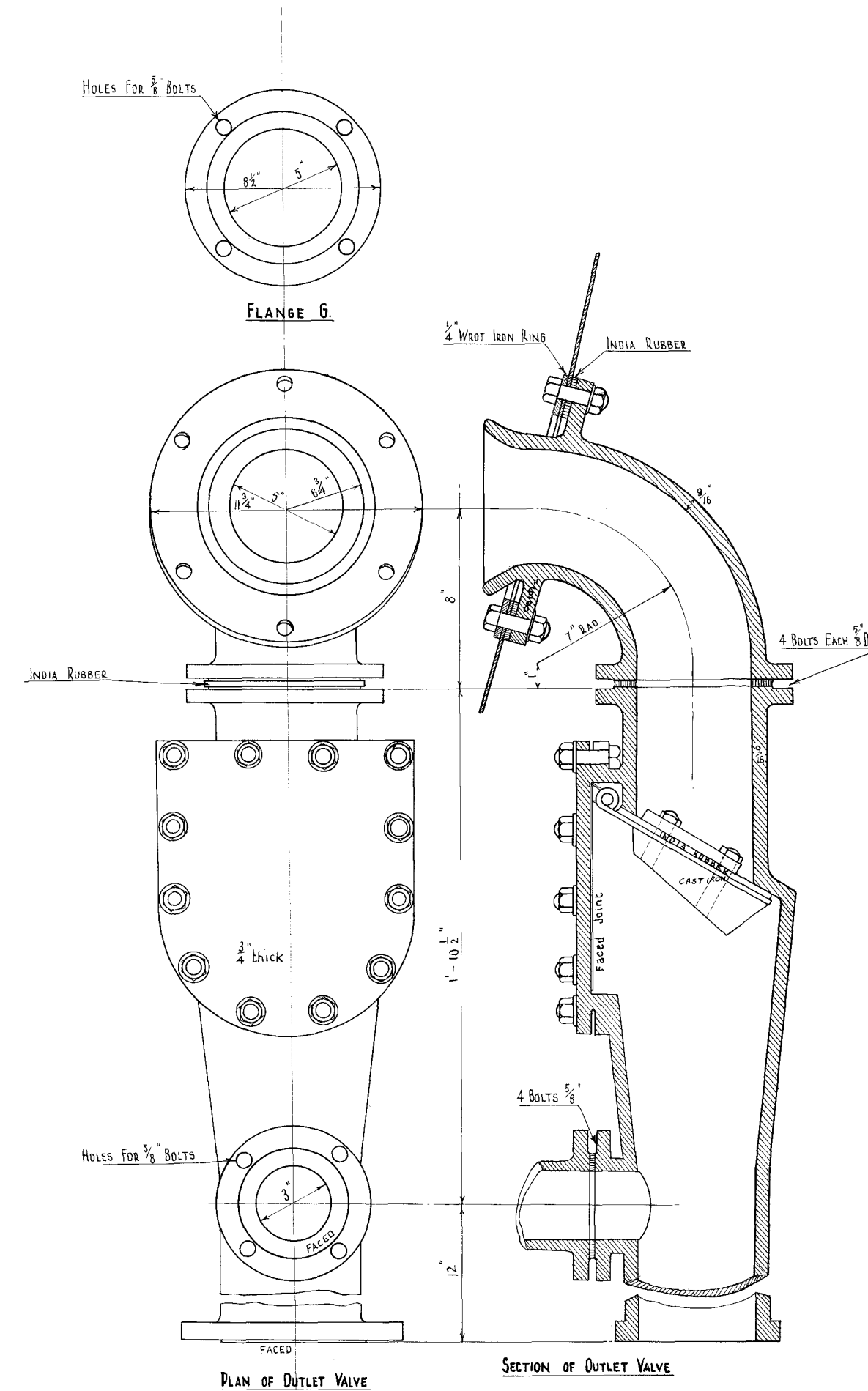
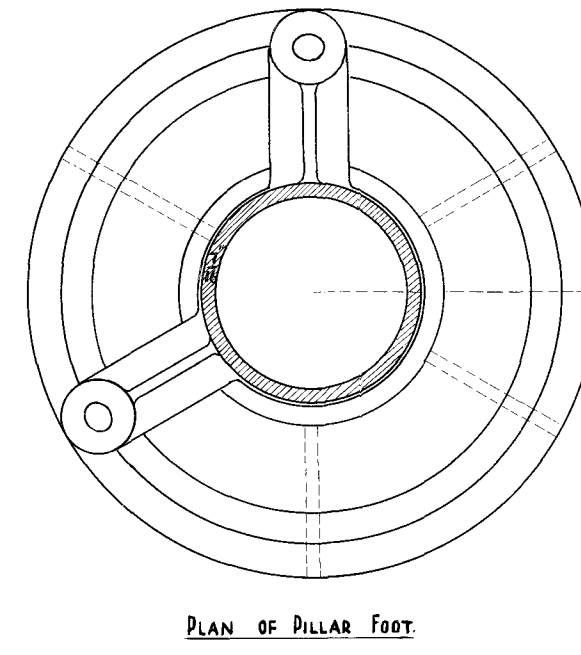
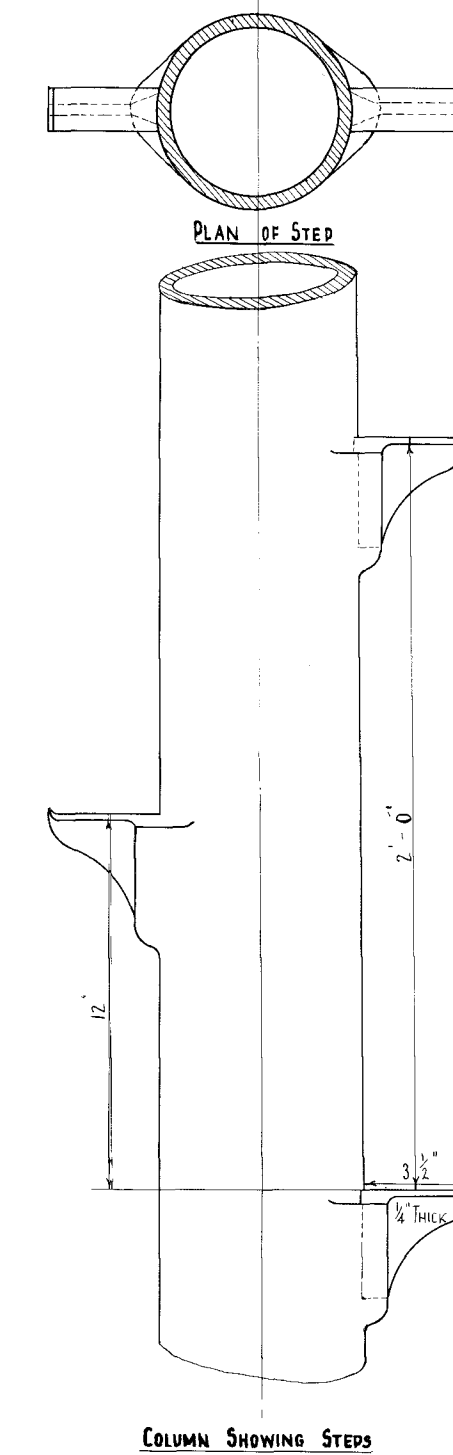
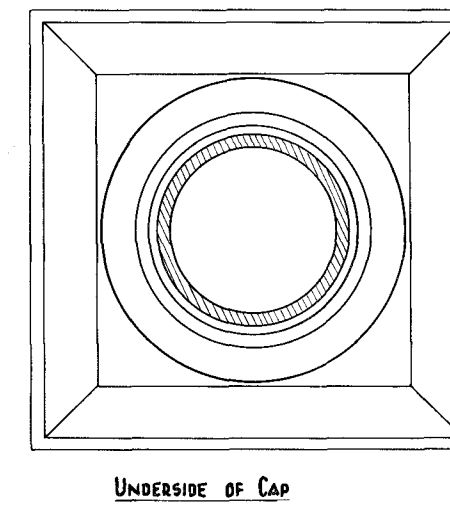
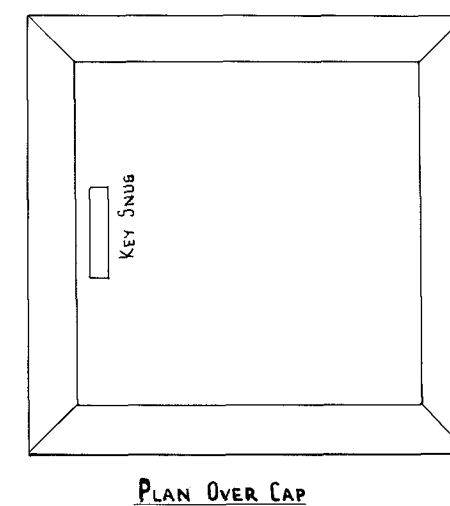
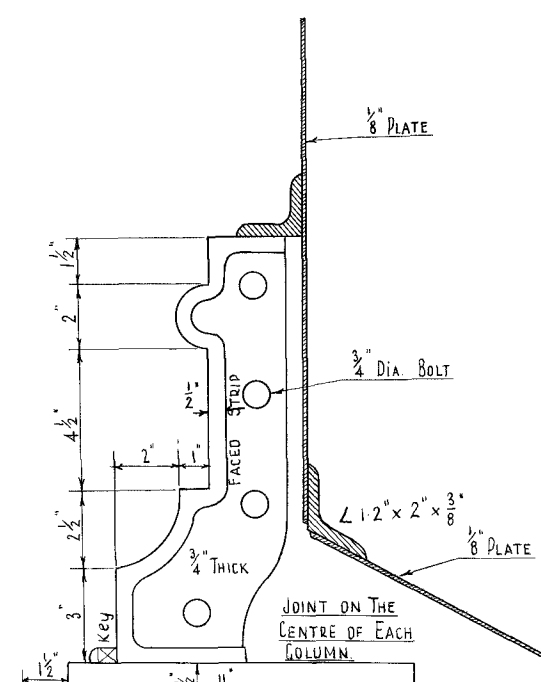
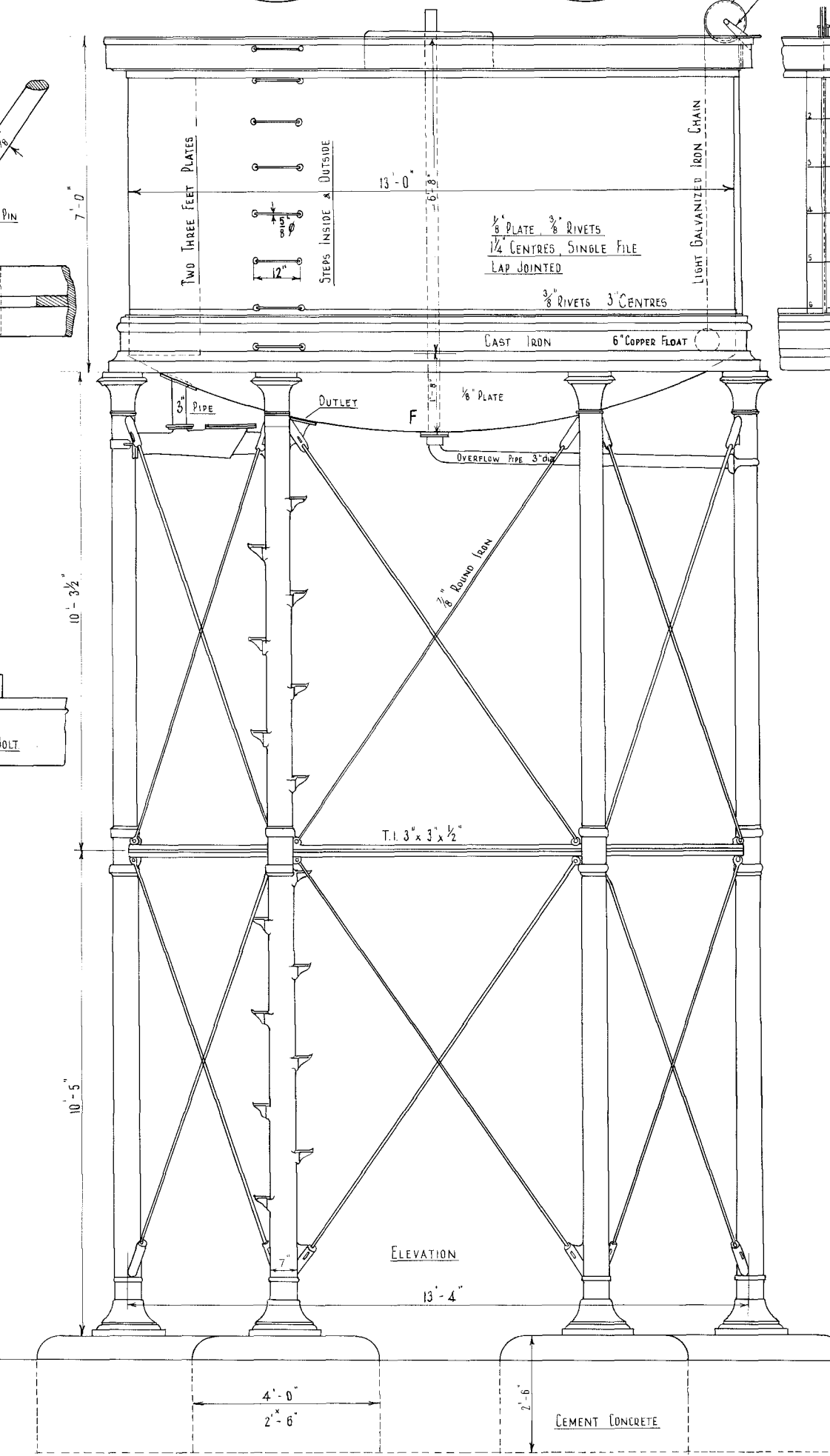
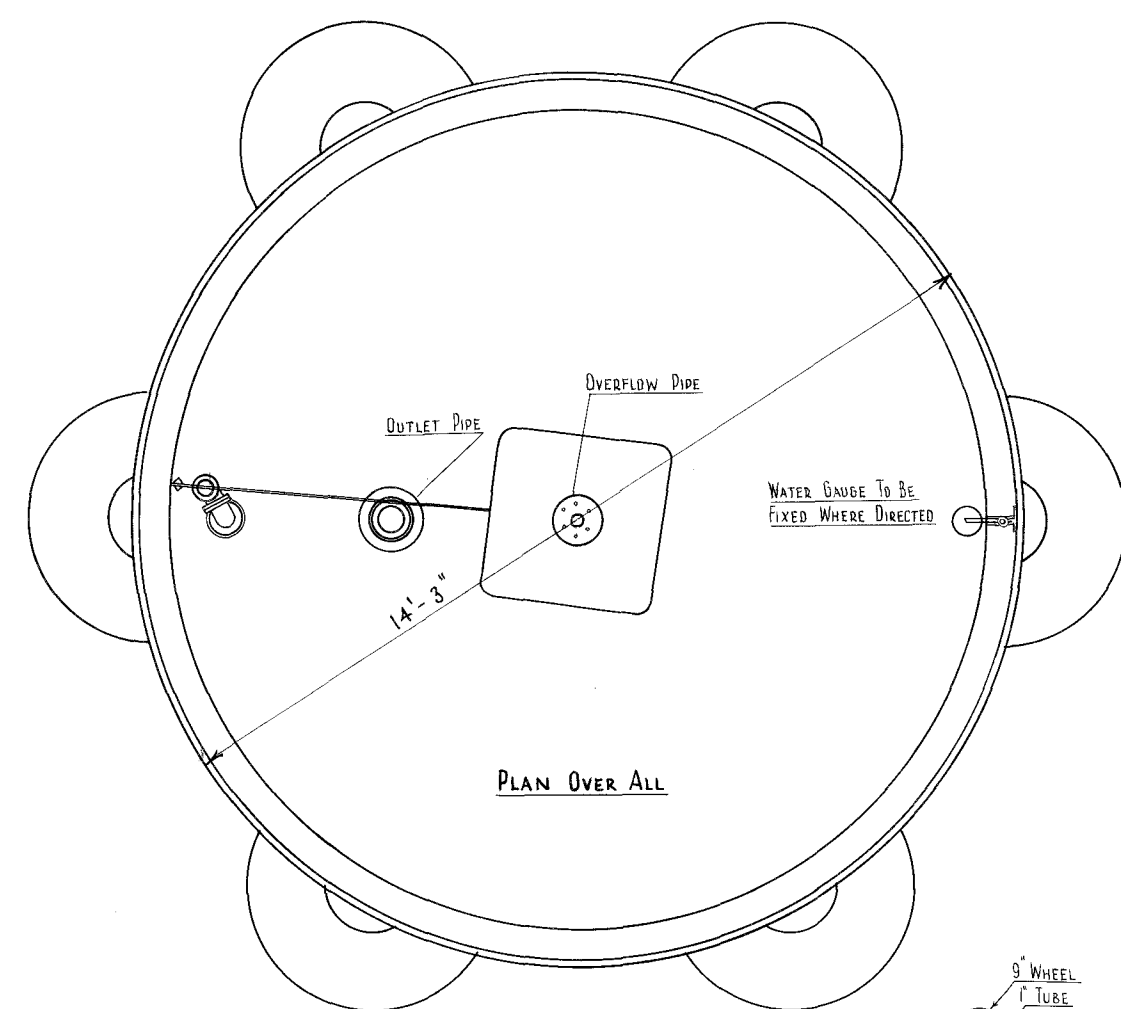
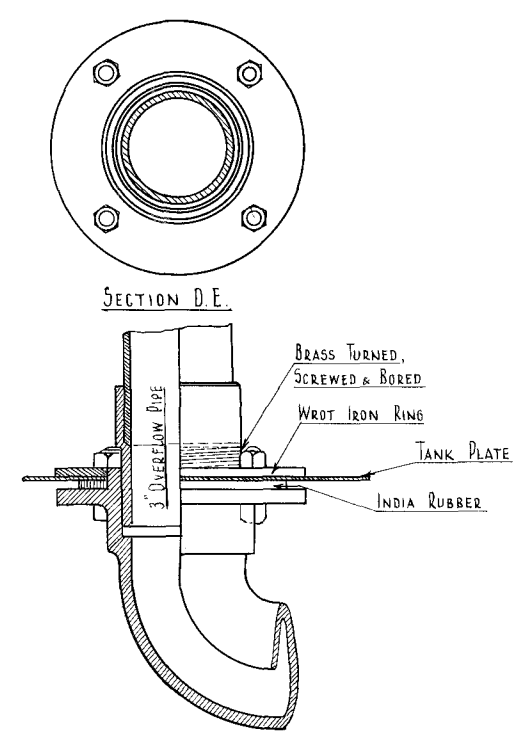


PLAN OF VALVE



V. R.

6000 GALLONS TANK

CHIEF CIVIL ENGINEER

DRWN BY: M. J. P. CHECKED BY: A. J. P. ENGINEER OF WATER SUPPLY

PLAN NO: 840-55

DRWG NO: MS-541

A-2