

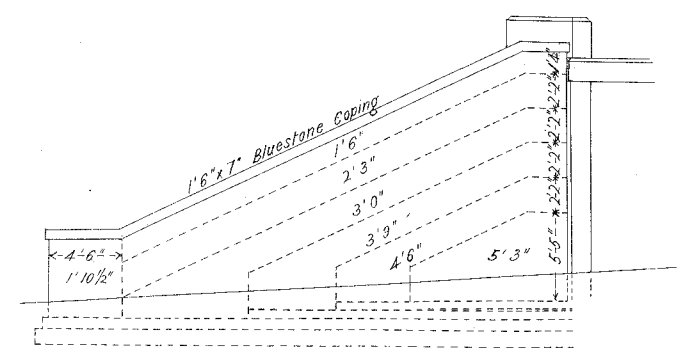
# VICTORIAN RAILWAYS

## BRIDGE OVER EAST STREET

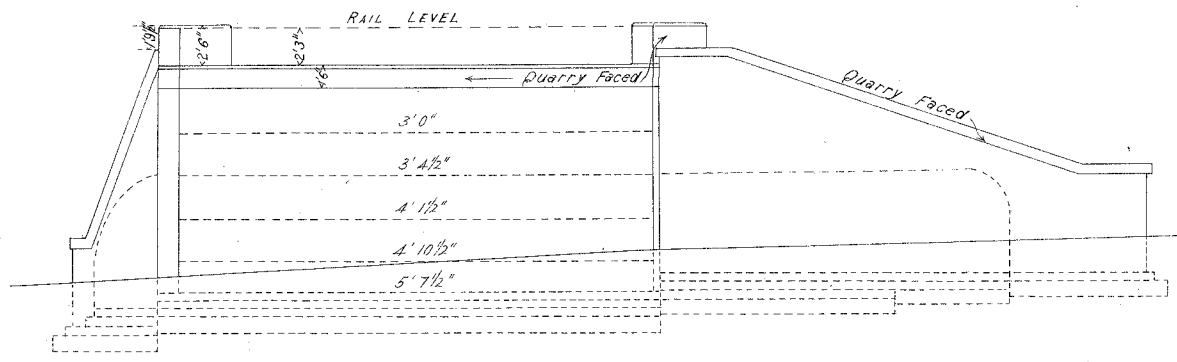
### DAYLESFORD

#### Details of Abutments

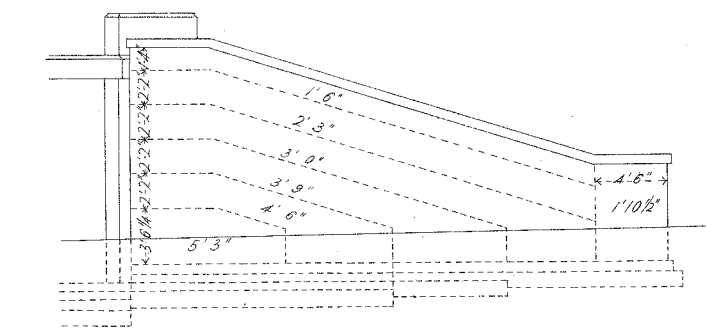
CONTRACT N<sup>o</sup> 7888  
N<sup>o</sup>



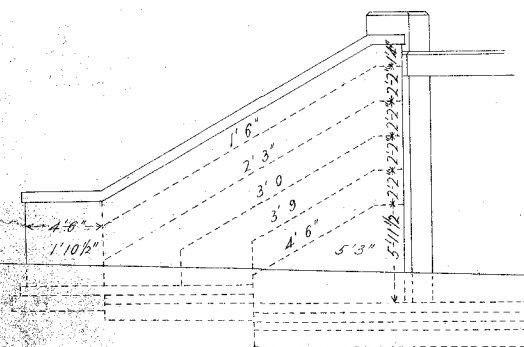
A-C.C.



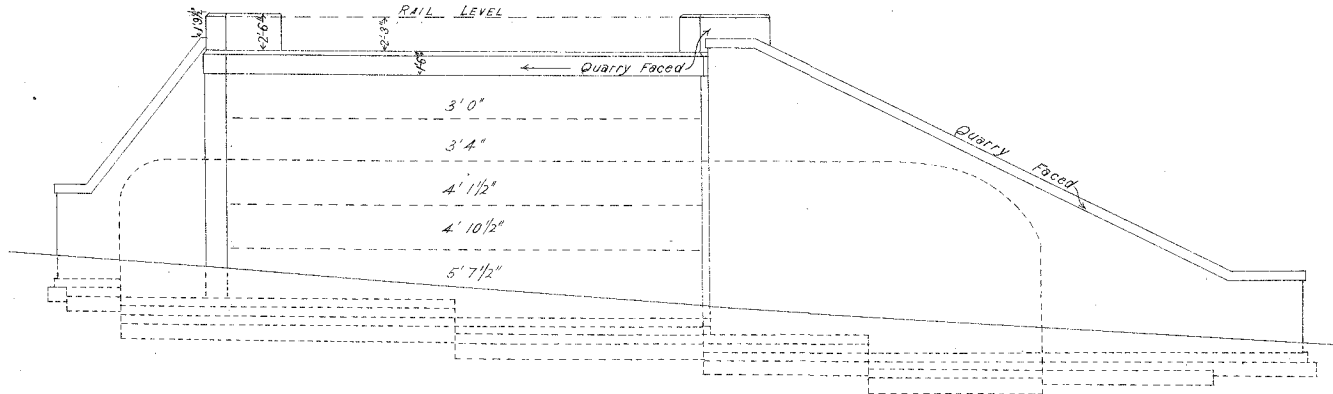
A-A.A.



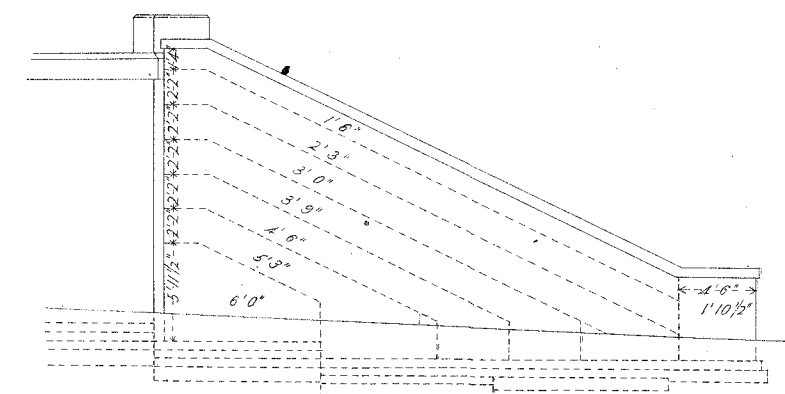
A-D.D.



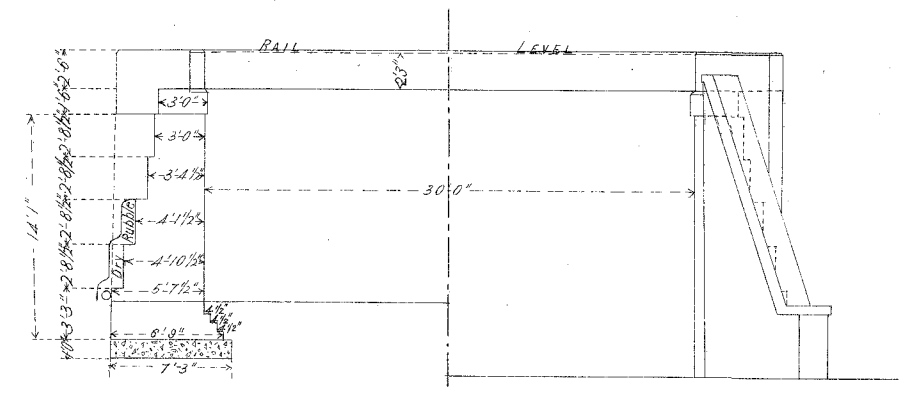
A-E.E.



A-B.B.

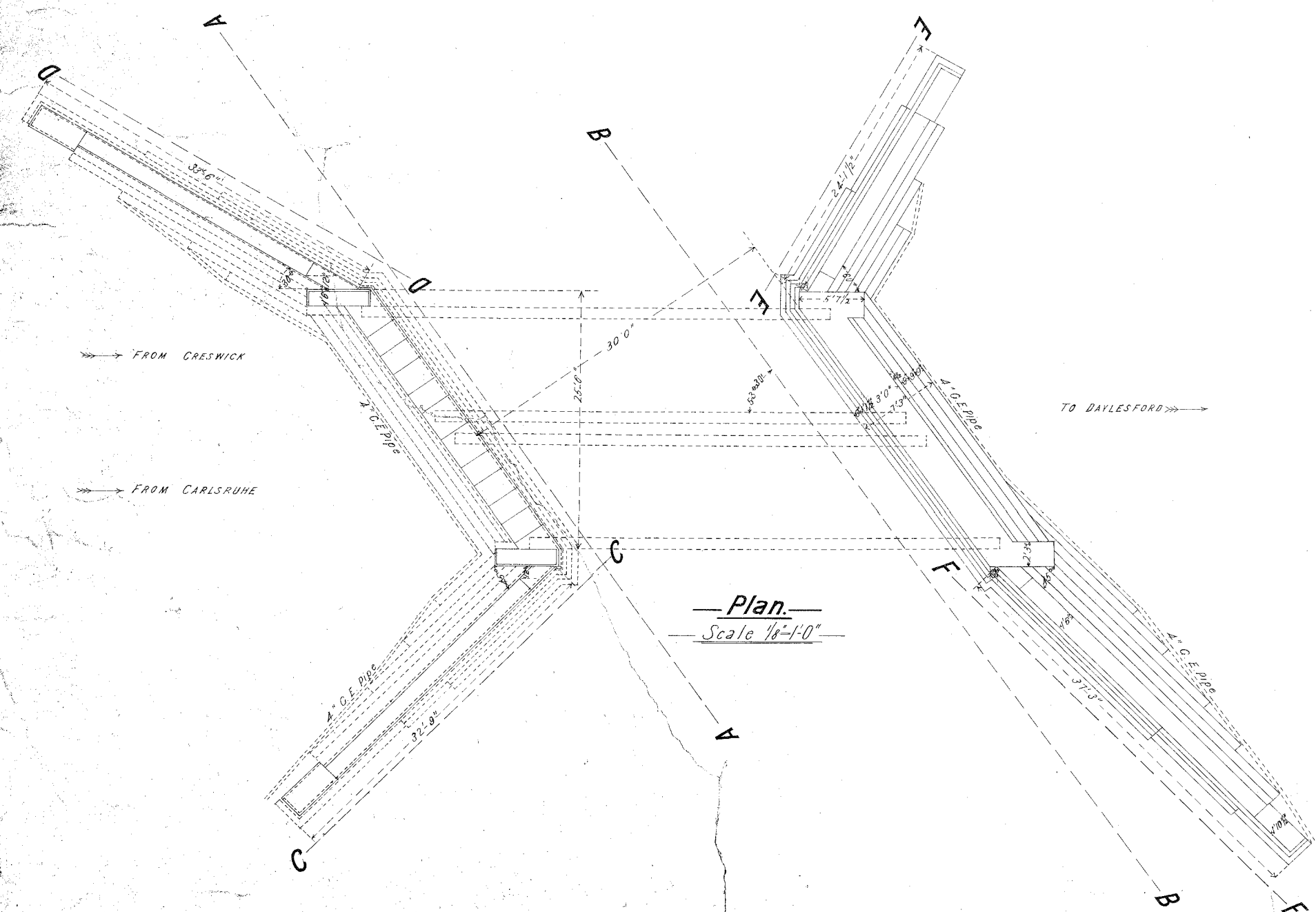


A-F.F.

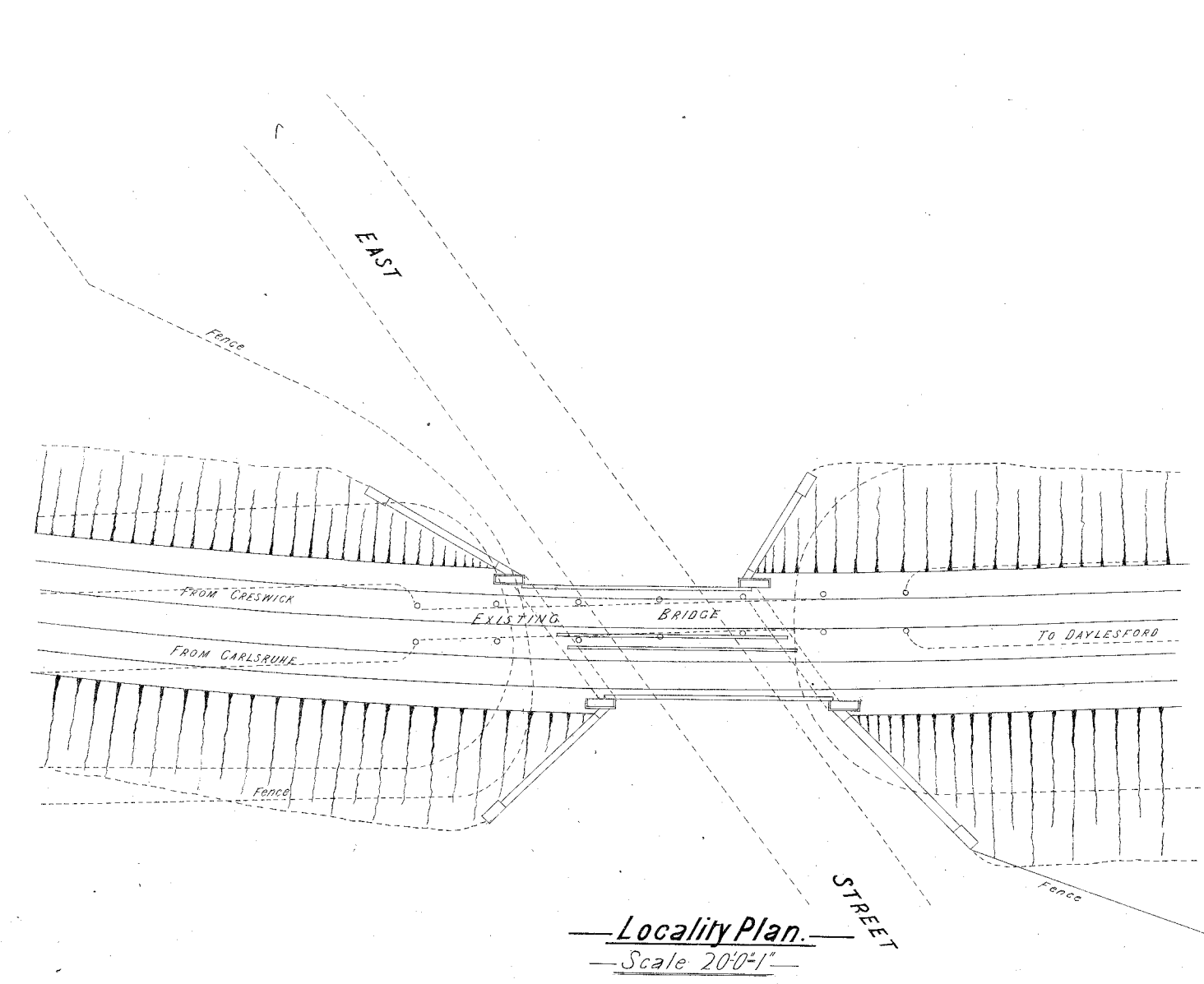


Half Cross Section Half Elevation

Scale 1/8"=1'-0"



Plan  
Scale 1/8"=1'-0"



Locality Plan  
Scale 20'0"=1'

I accept this as one of the Drawings referred to in the Specification and Conditions upon which I based my Tender Dated the 27<sup>th</sup> day of March 1899  
Signature of Contractor *E. J. Wilkes*  
Witness to Signature *W. C. De...*  
Date *3/27/99*

RAILWAYS DEPARTMENT  
7888  
ROOM  
24-29, 1.2.99  
and  
16/27/99  
G.S.P.  
24-29

144  
RAILWAYS DEPARTMENT  
PLAN 2400  
JULY 1898