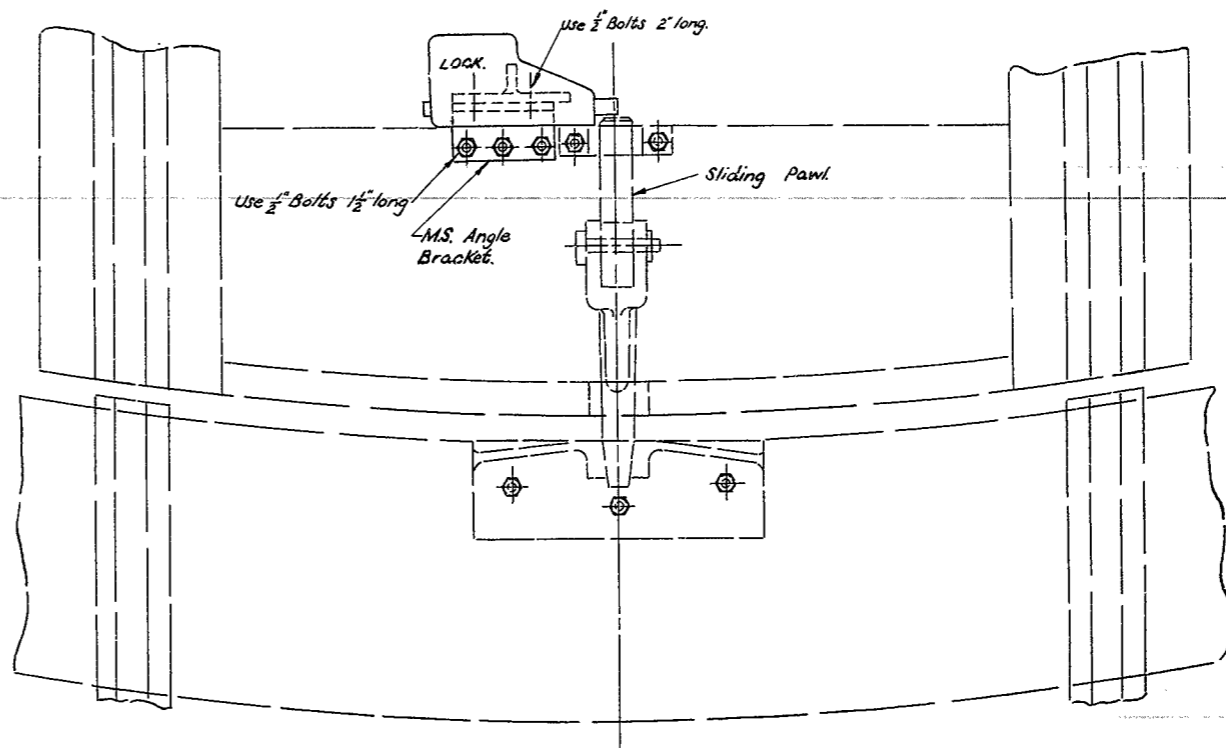
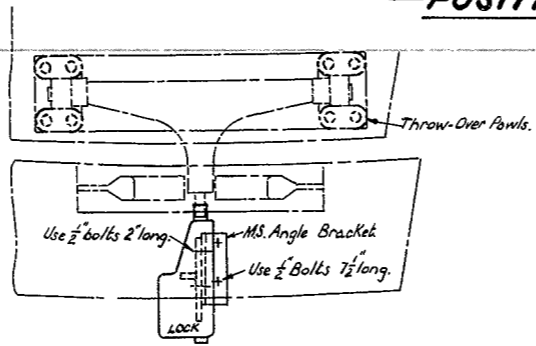


— POSITION ON 53 FT & 70 FT —
— TURNABLES —
1 IN° Per Table.



— POSITION ON 50 FT TURNABLE —
Sliding Pawl 1 IN° Per Table.



— POSITION ON 53 FT TURNABLE —
Throw - Over Pawls 1 IN° Per Table.
For details of angle bracket See Plan N° 758/54.

For details of lock & angle bracket
See Plan N° 758/54.

Amended 4-11-55 J.N.E.

TURNABLE LOCK METHOD OF INSTALLATION

Scale: 1 1/2" & 1" = 1'-0"

Chief Civil Engineer.

Drawn. J.N.E.	Checked. F.G.L.	Passed. J.F.F.	Eng M&WS.
------------------	--------------------	-------------------	-----------

TT-146
C-18

PLAN N°
758-54

758
758