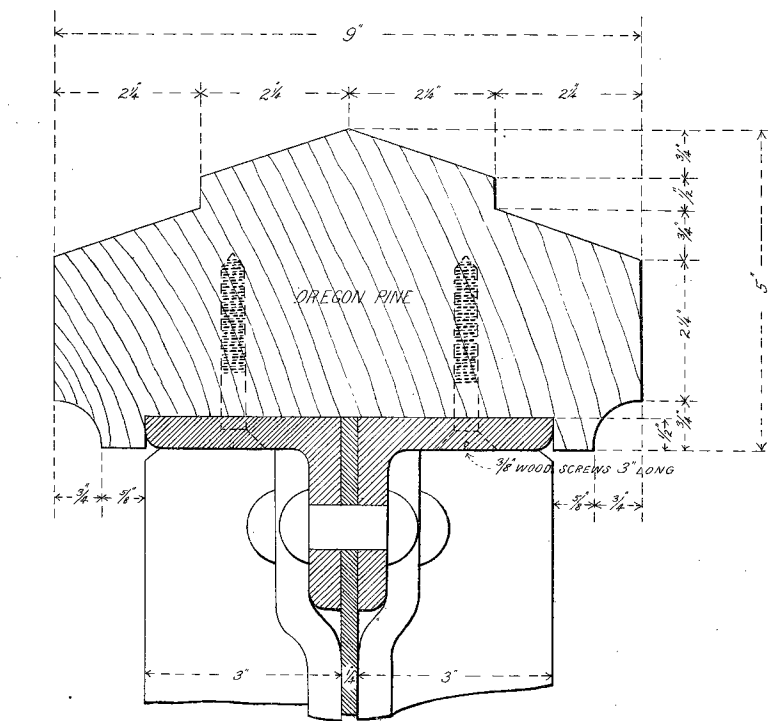
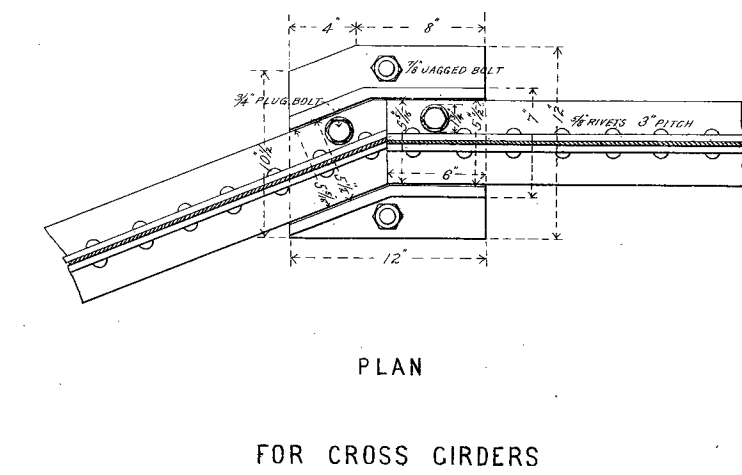
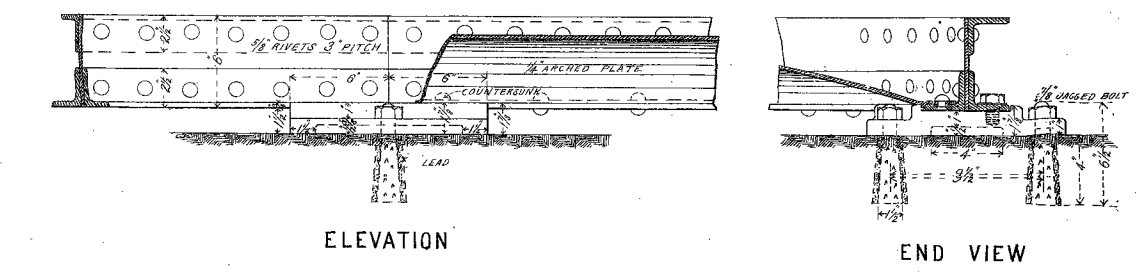
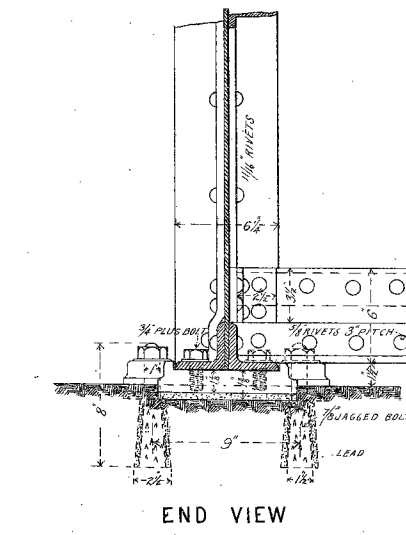
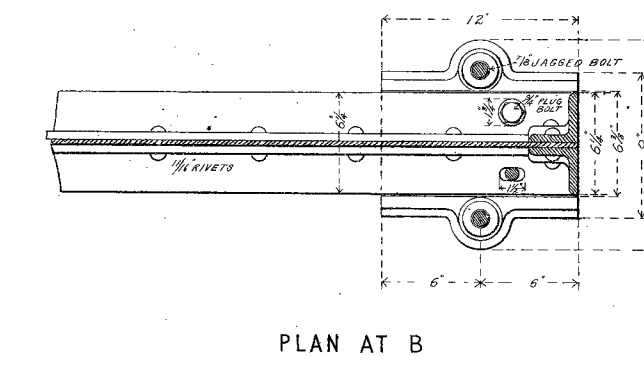
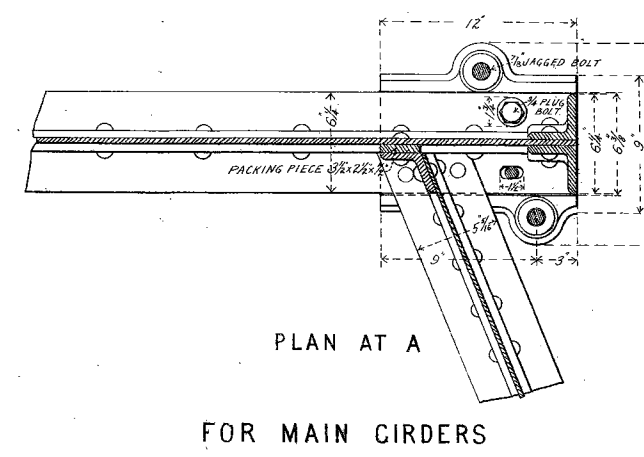
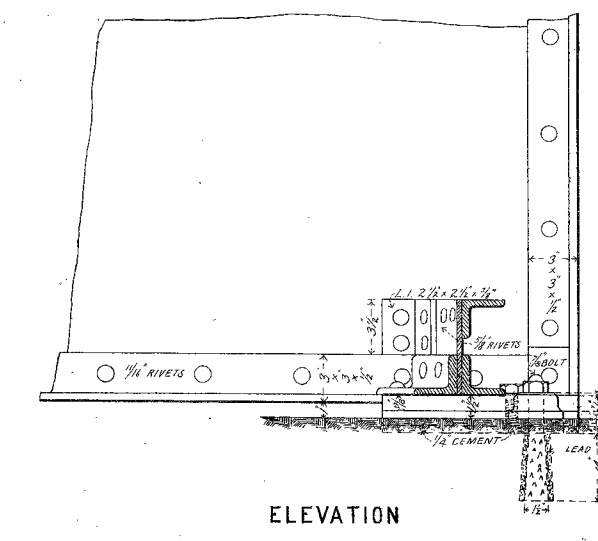
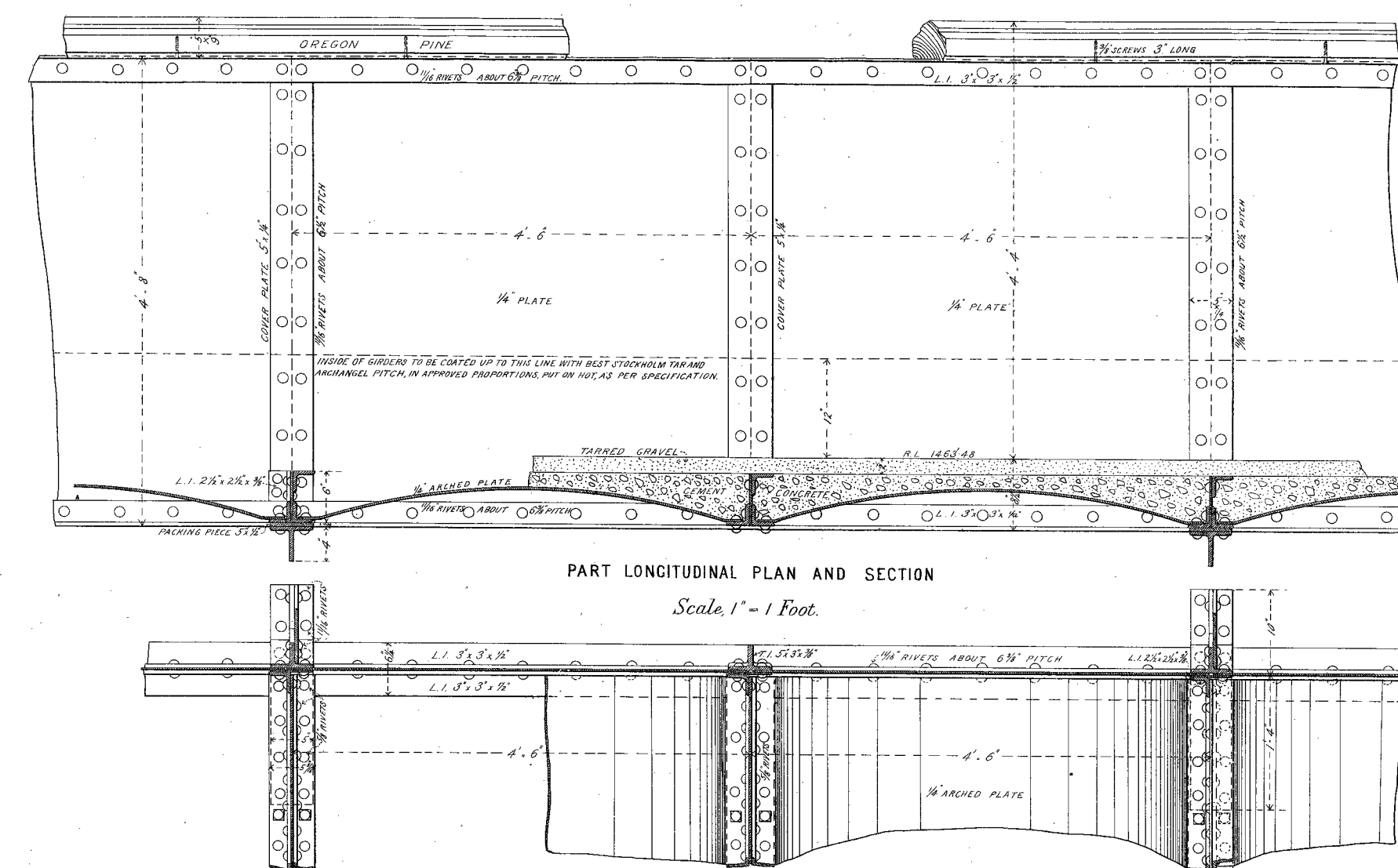
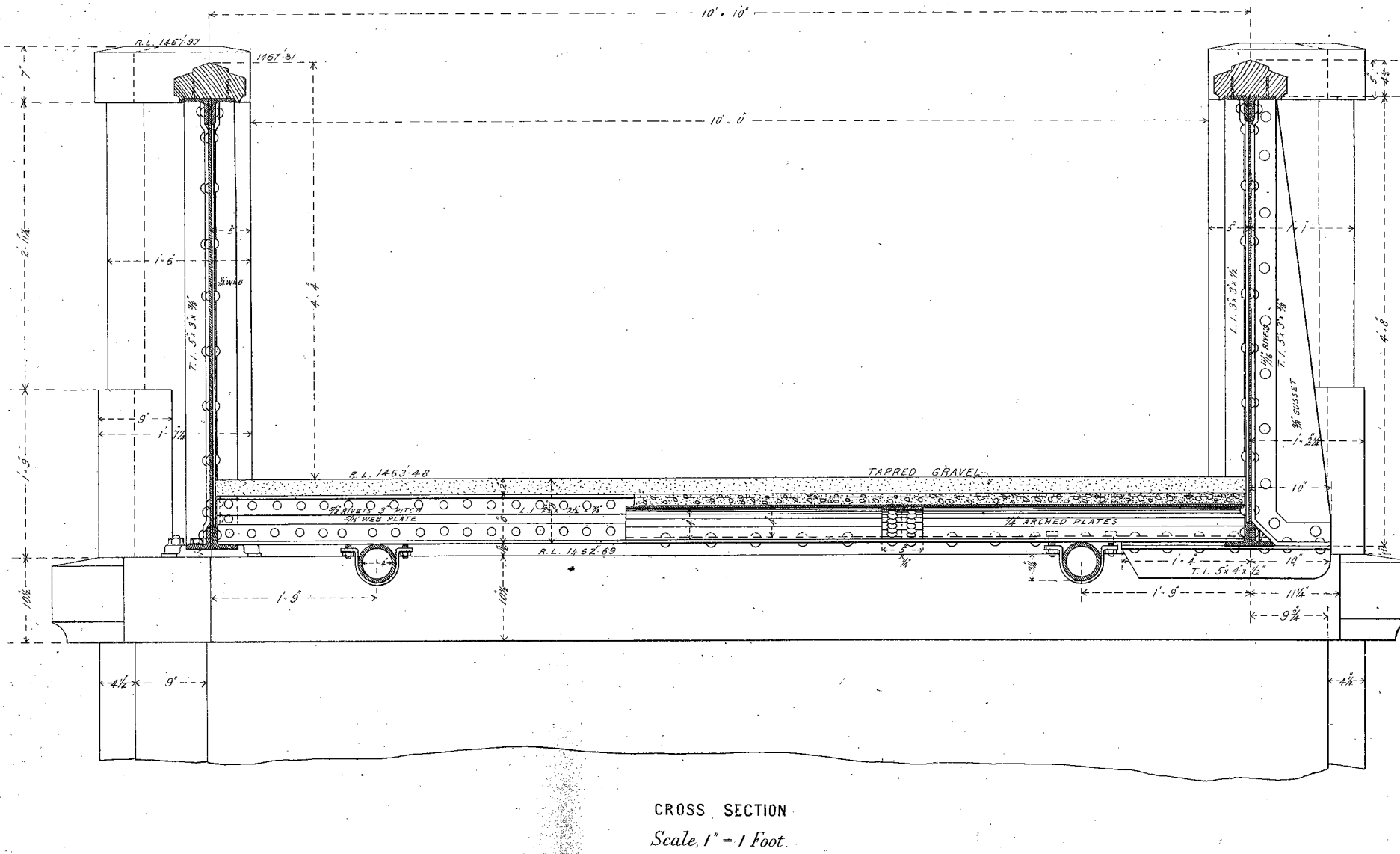
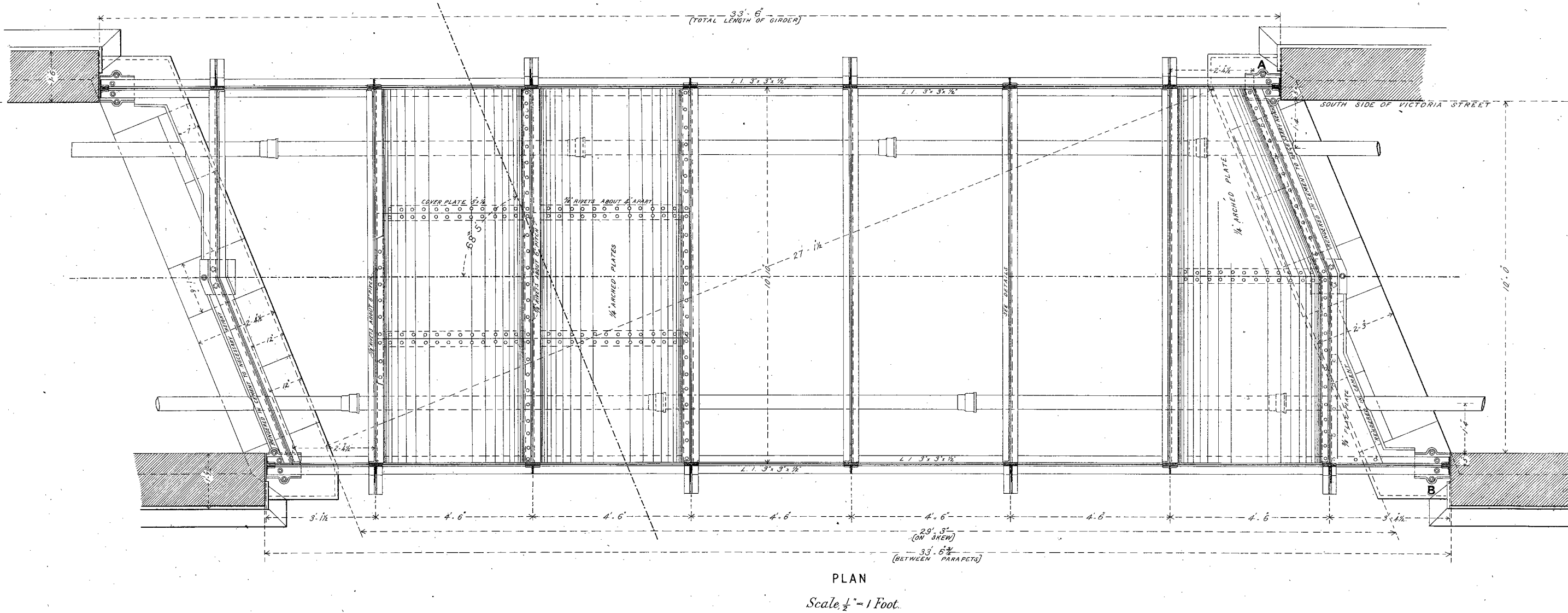
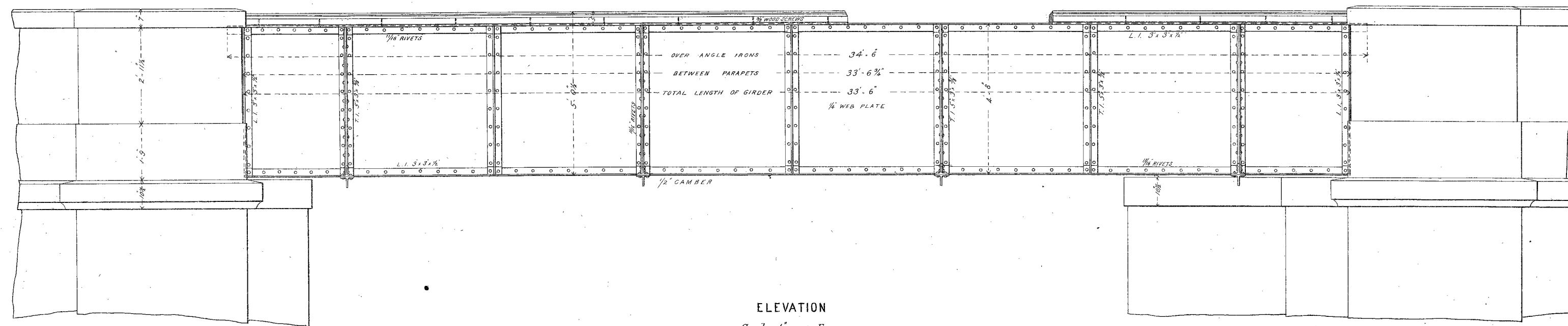


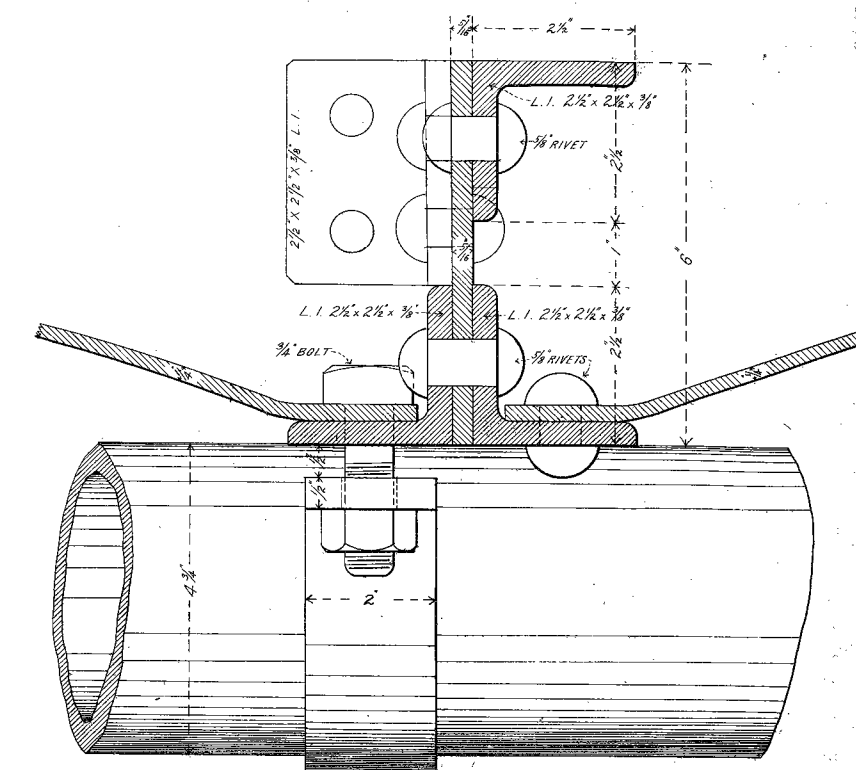
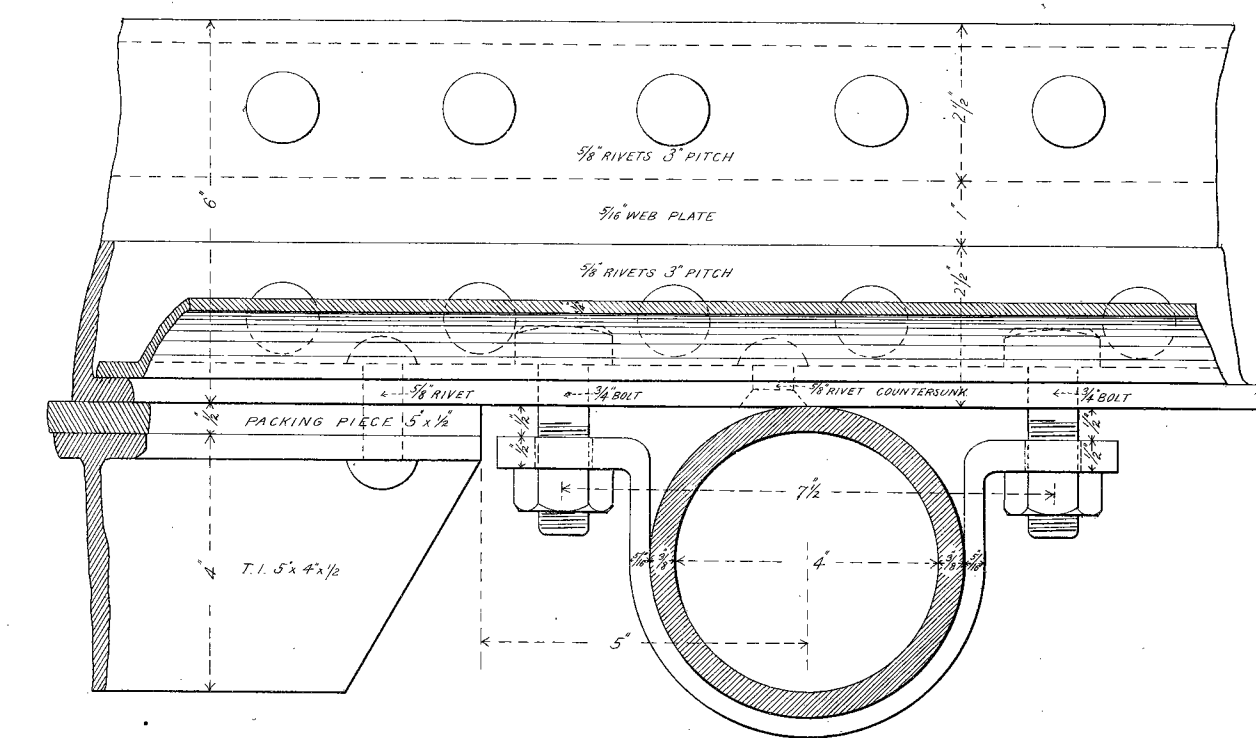
VICTORIAN RAILWAYS,
BALLARAT AND BUNINYONG LINE.
FOOTBRIDGE FOR SOUTH SIDE OF VICTORIA STREET.

Details of Ironwork.

CONTRACT N° 3099.
N° 59.



NOTE—Ironwork to be laid out full size so as to get position of work correctly.



Handwritten initials and date: *W.P. 2-59*

PHOTODUPLICATION
DEC 15 1919