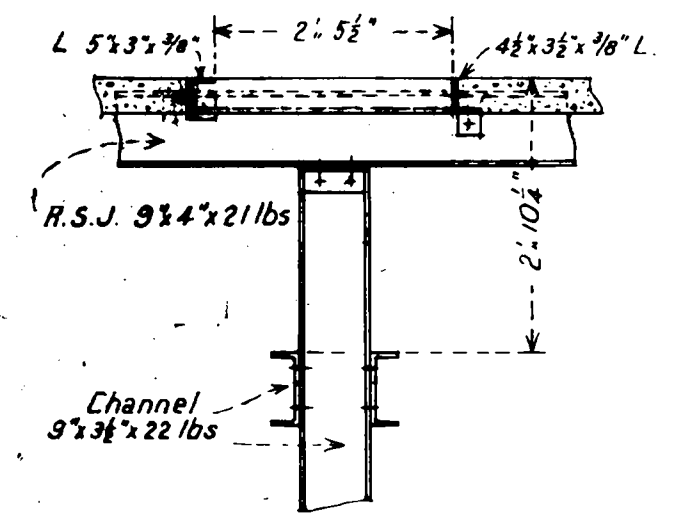
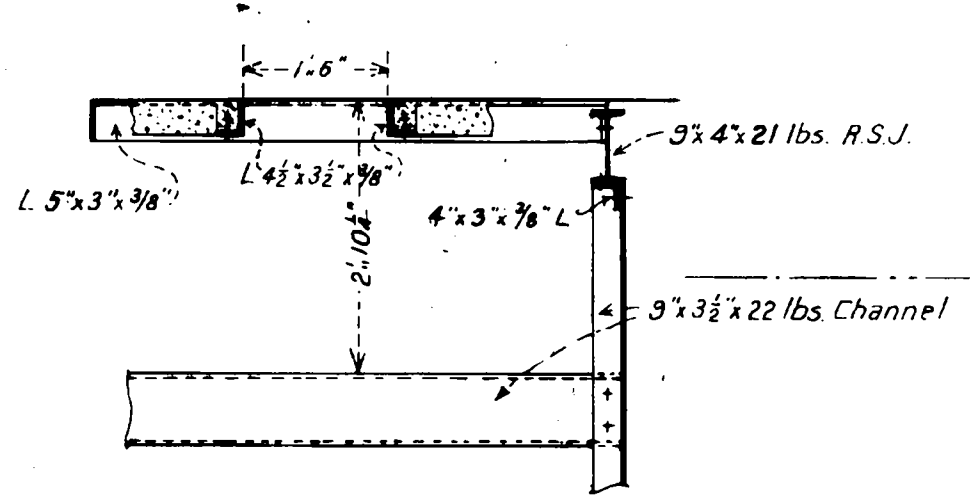


— V. R. —
— BRIGHTON BEACH —
— New Signal Box Details —
 — Scale—2 Ft. to One Inch.—

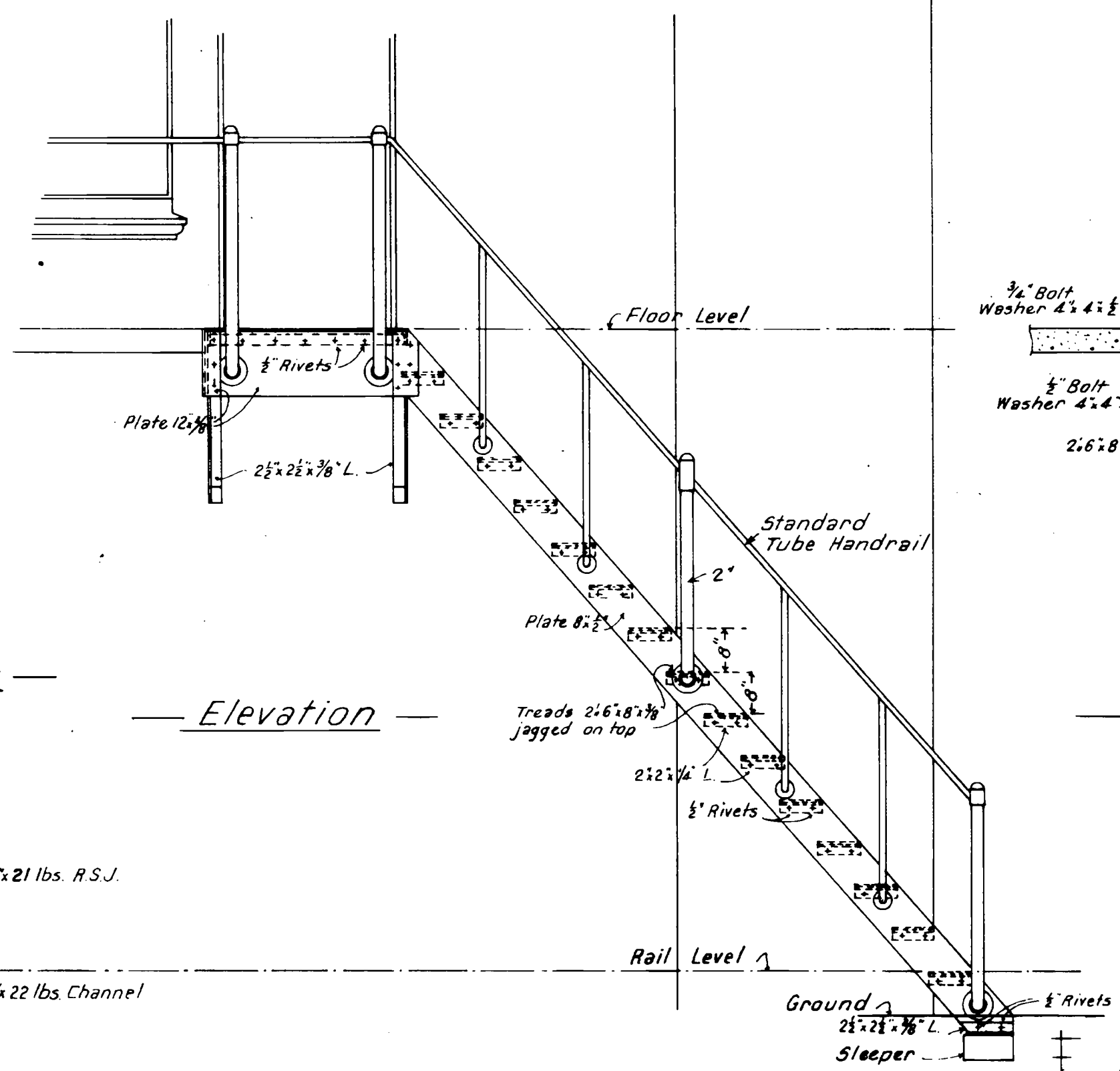
3233/10



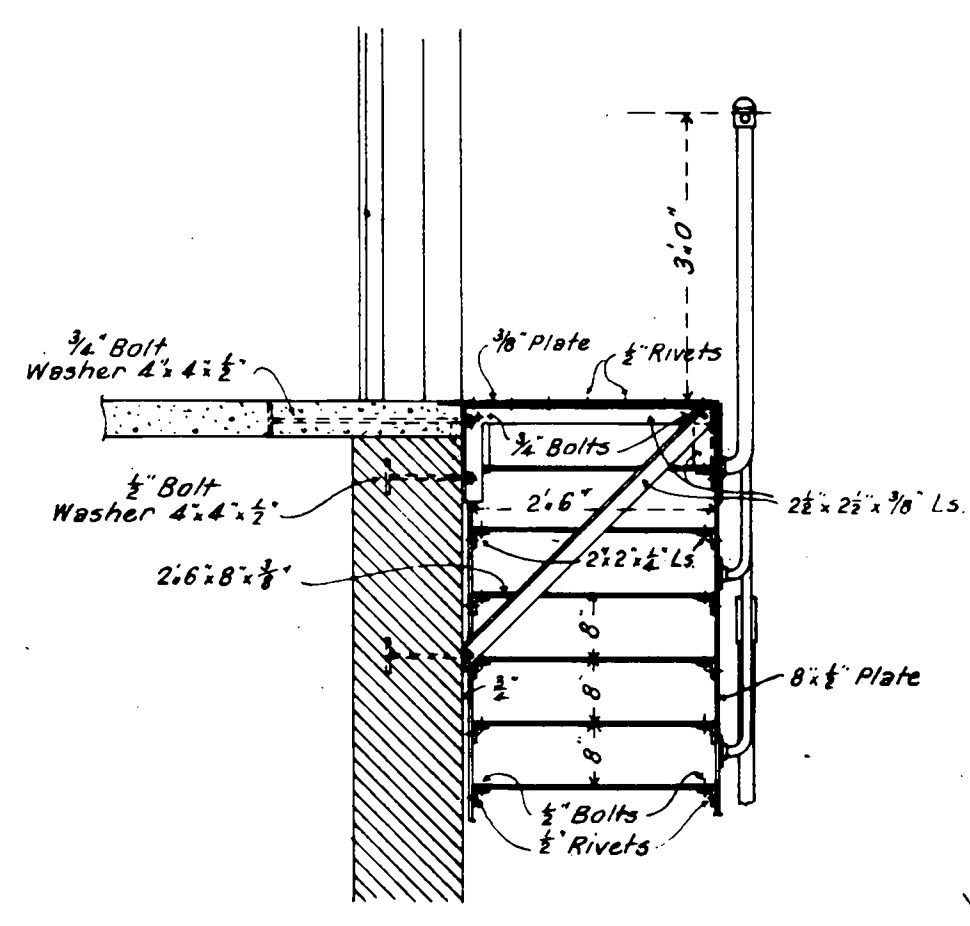
— Section A-A through Floor —



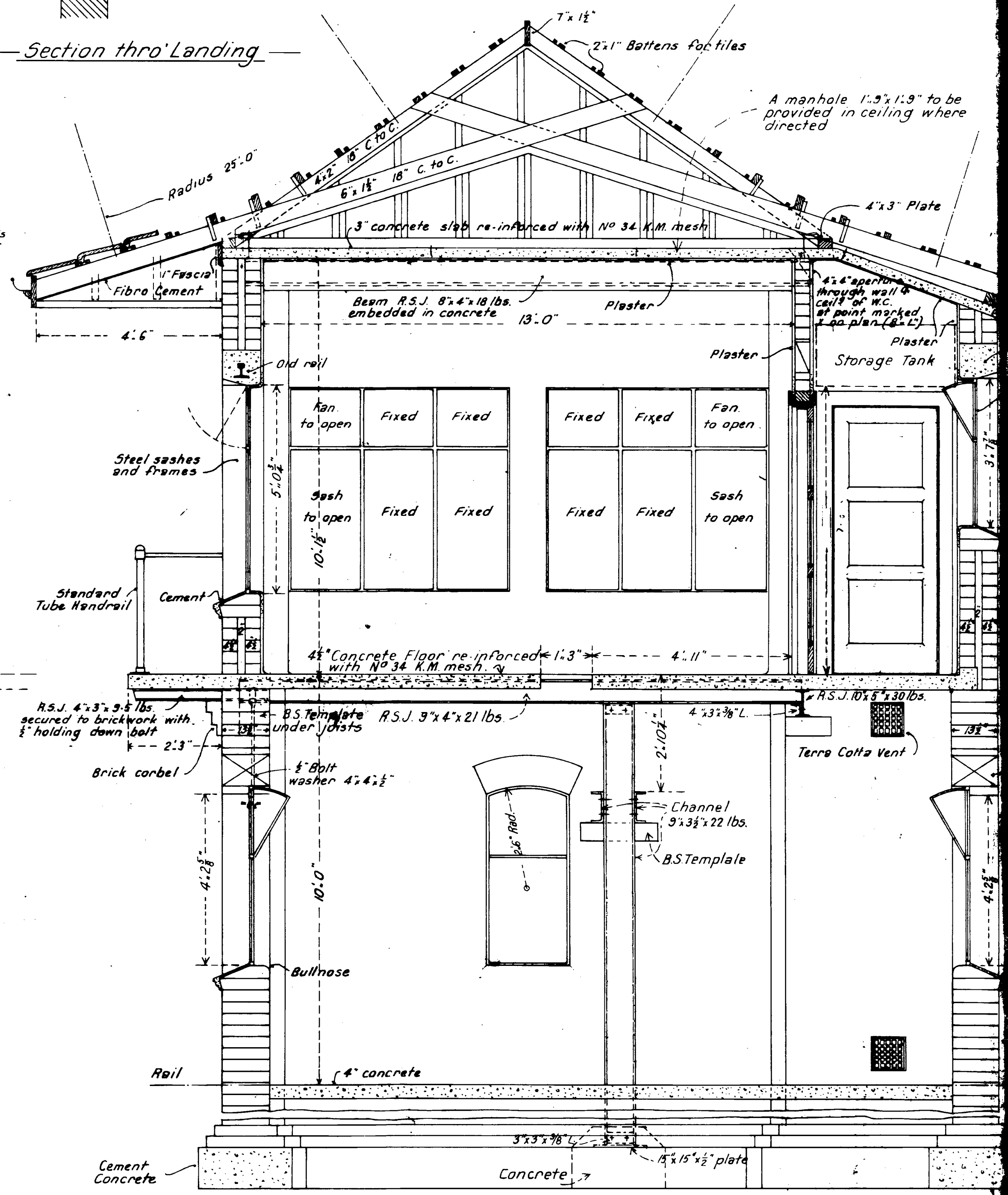
— Section B-B through Floor —



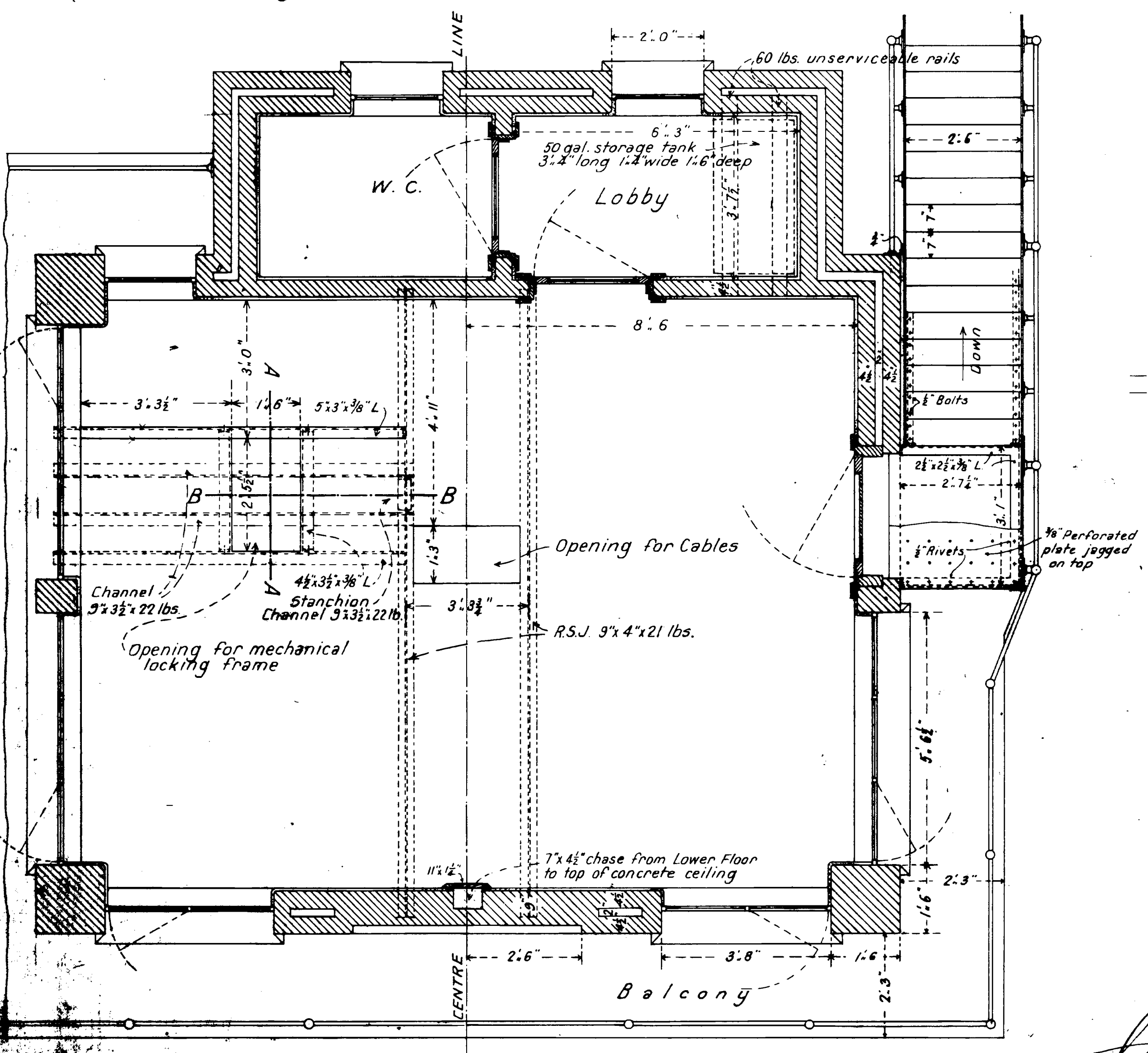
— Elevation —



— Section thro' Landing —



— Cross Section —



— Part Plan —

Handwritten signature
 17. 6. 16