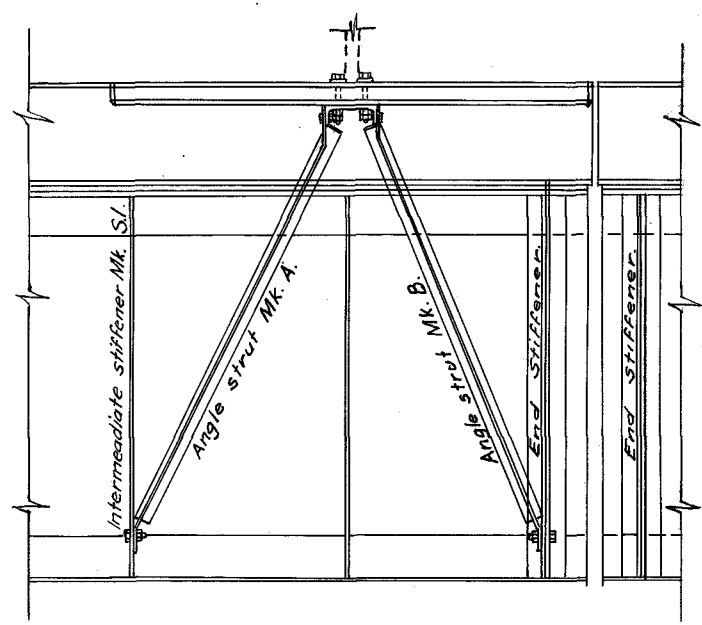
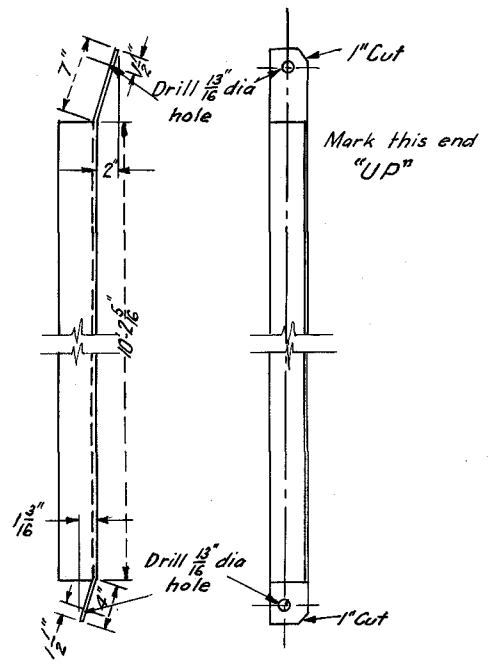


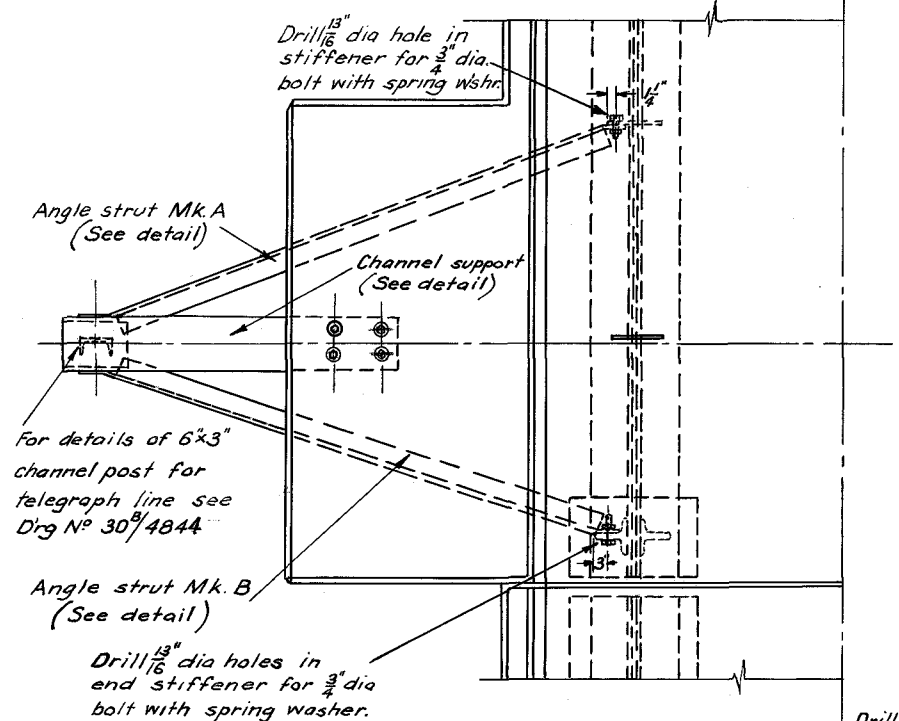
— END ELEVATION —
SCALE: 1/2" = 1 FOOT



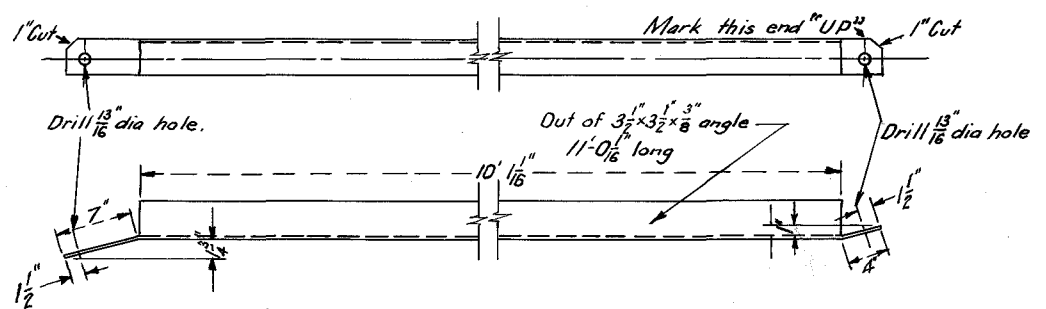
— SIDE ELEVATION —
SCALE: 1/2" = 1 FOOT



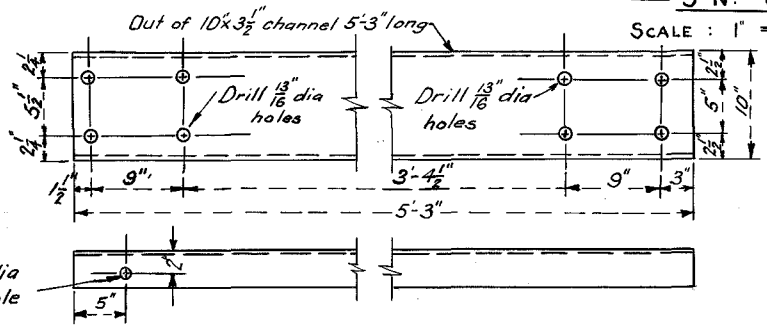
— DETAIL OF ANGLE STRUT MK. A. —
5 N^o OFF
SCALE: 1" = 1 FOOT



— PLAN —
SCALE: 1/2" = 1 FOOT



— DETAIL OF ANGLE STRUT — MK. B. —
5 N^o OFF
SCALE: 1" = 1 FOOT



— DETAIL OF SUPPORT — 5 N^o OFF —
SCALE: 1" = 1 FOOT

CASTLEMAINE TO MARYBOROUGH
— DEVIATION AT JOYCES CREEK —
— BRIDGE AT JOYCES CREEK —
SUPPORTING BRACKET FOR TELEGRAPH POST
— SCALE 1/2" = 1 FOOT —

DRAWN BY	K.J.Y.	SUPT ^r ENGR	CHIEF ENGR.	DRAWING N ^o
TRACED BY	J.W.	M.A.		30 ^A /4846.
CHECKED BY				