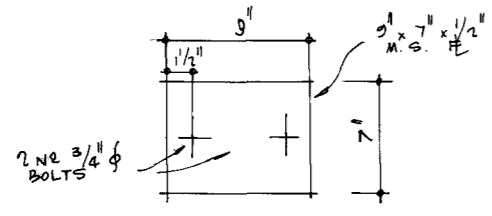
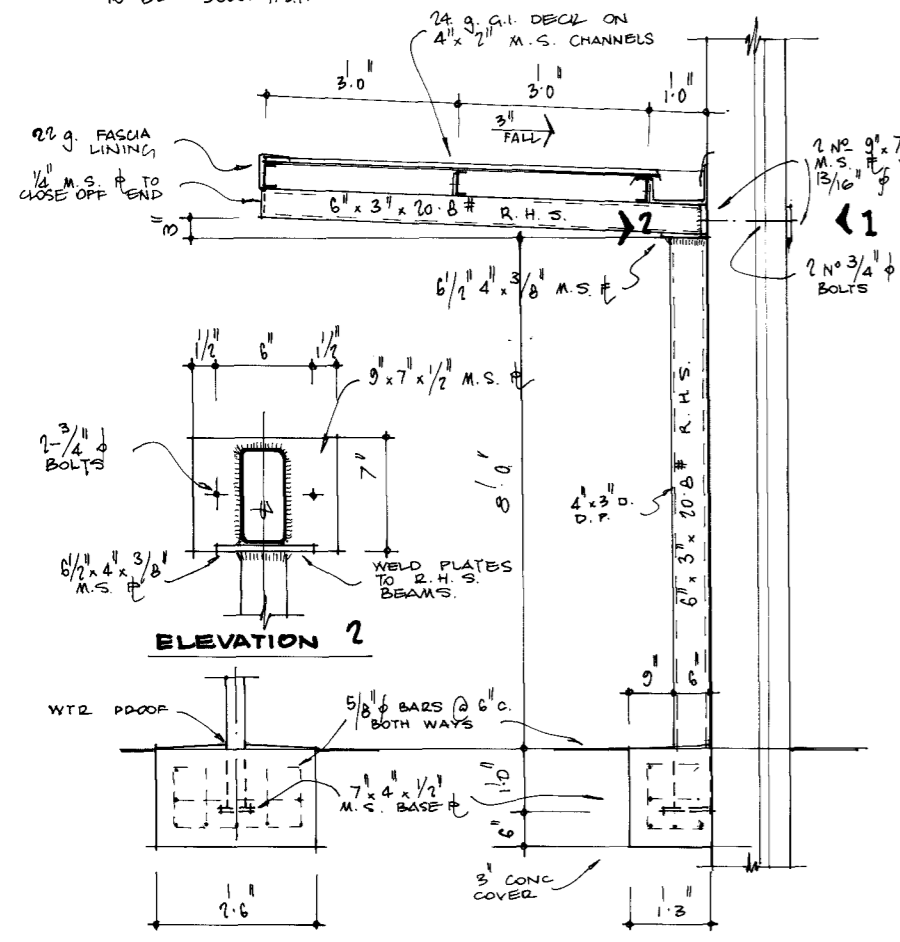


NOTES:
 CUTTED BY 24 g. G.I. SUPPORTED BY CUTTED STRAPS @ 3'0" C. FIXED TO BRICK WALL.
 PURLING: 4" x 2" M.S. C BOLTED TO 3" x 3" x 1/4" M.S. PURLIN CLEATS.
 WELDS: ALL WELDS ARE 1/4" F. A. R.
 CONC: FOR D.C. FOOTING TO BE 3000 P.S.I.



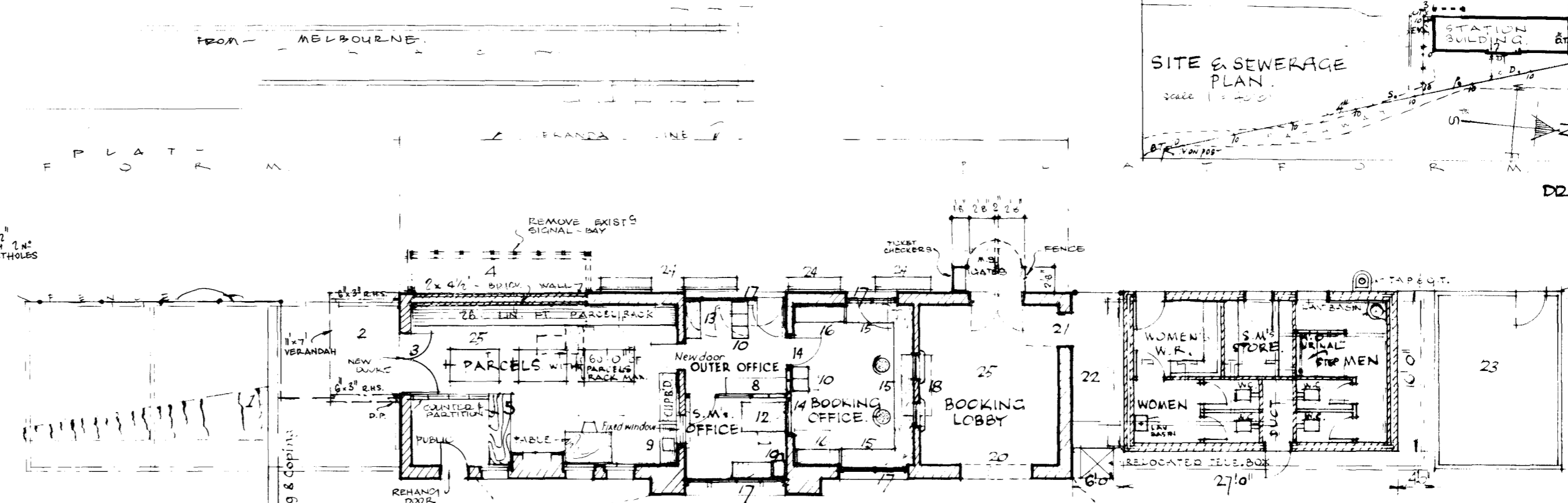
ELEVATION 1
 SCALE: 1/8" = 1'-0"



ELEVATION 2

FRONT OF FOOTING SIDE ELEVATION
 SCALES: 1/2" = 1'-0"

CANTILEVERED VERANDA DETAILS



CART DOCK

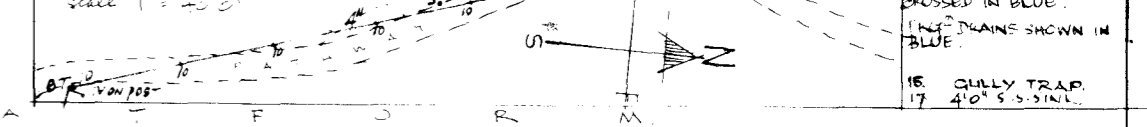
FOR LAYOUT OF THIS AREA SEE T & D. ENGR'S PLAN: 766/69, REV. A.

LEGEND:

- 1 PARCELS DOCK AFTER DEMOLITION & EXCAVATION & PLAT. FACING WORK
- 2 CANTILEVER VERANDA 7'0" WIDE / 11'0" LONG
- 3 NEW 6'0" WIDE / 6'8" HIGH DOOR CPE & DOORS
- 4 REMOVE EXIST'G SIGNAL BAY - BRICK UP OPENING.
- 5 RELOCATED COUNTER TO HAVE SHELVING UNDER.
- 6 BRICK INFILL.
- 7 NEW TIMBER FRAMED, MASONITE LINED, HALF GLAZED PARTITION INFILL WITH DOCK
- 8 STANDARD TELEPHONE CUP & BOX OVER
- 9 4'0" SINK
- 10 STEEL LOCKERS TYPE 1B
- 11 NEW TIMBER FRAMED, MASONITE LINED, HALF GLAZED PARTITION
- 12 S.M.'S TABLE
- 13 STANDARD CUPBOARDS, TYPE 2, STATIONARY
- 14 NEW TIMBER FRAMED, MASONITE LINED, HALF GLAZED PARTITION INFILL WITH DOCK
- 15 BOOKING COUNTER & BENCHES.
- 16 TICKET STOCK CUPBOARDS - NEW / COMBINED LENGTH 3'0"
- 17 NEW TIMBER FRAMED, WITH WINDOWS, MASONITE INT' LININGS, V CRIMP EXT' LININGS, INFILLS
- 18 NEW POSITION OF BOOK'G WINDOWS, WITH NEW BRICK INFILL
- 19 NEW 2ND BARRIER GATES.
- 20 NEW OPENING
- 21 REMOVE DOCK
- 22 NEW POSITION FOR BICYCLE RACK FOR 12 NO B'LES WITH CHAINWIFE MESH END WALLS
- 23 GUARDS ETC. ROOM RELOCATED
- 24 SEATS.
- 25 REPLACE TIMBER FLOOR WITH CONCRETE SLAB.

PLAN SCALE: 1/8" = 1'-0"

SITE & SEWERAGE PLAN



DRAINAGE PLAN NO: 96910

NOTE:

ALL SURFACE FITTINGS TO DISUSED H.G. DRAINS TO BE REMOVED AND THE DRAIN PIPES SEVERED BELOW GROUND LEVEL.
 DISUSED BRANCHES FROM DRAINS WHICH ARE TO REMAIN IN USE ARE TO BE CUT & SEALED AT THE APPROPRIATE O.B.S.
 URINALS OR FIXTURES DISCHARGING PHOTOGRAPHIC WASTES ARE NOT TO BE CONNECTED TO ANY COPPER-TUBE PLUMBING, INSTALLATION.

- LIST OF FITTINGS
3. SINK TO BE ABOLISHED
 4. CLOSETS (2 NO) "
 5. L/PASIN "
 6. CLOSETS (2 NO) "
 7. URINALS (3 NO) "
 - 9-12. CLOSETS (4 NO) PROPOSED
 - 13-14. BATHS (2 NO) (EXT'G)
 16. URINAL, EXT'G
 - EXIST'G DRAINS SHOWN GREEN
 - DRAINS TO BE ABOLISHED & SEVERED SHOWN IN BLUE
 1. EXT'G DRAINS SHOWN IN BLUE
 15. GULLY TRAP
 17. 4'0" S.S. SINK

DATE	REV	AMENDMENT	AMENDED BY
26.2.73	I	BARRIER GATES ALTERED	A.G.H.
25.3.72	H	STRUCTURAL DETAILS OF VERANDA ADDED	A.G.H.
21.12.71	G	PARCELS OFFICE ALTERED	A.G.H.
10.11.71	F	REARRANGE BARRIER GATES	A.G.H.
6.9.71	E	REARRANGE S.M.'S & OUTER OFFICES	D.B.C.
6.7.71	D	POSITIONS OF 12 & 13 RELOCATED	J.H.E.
14.10.70	C	AMENDED IN ACCORDANCE TO A.A.S.W. REQUIREMENTS	A.G.H.
4.5.70	B	SITE & SEWERAGE PLAN ADDED	J.H.E.
2.7.70	A	CAR PARK & REARRANGE RACKS CHECK GATES, ETC.	J.H.E.

VR.
COBURG
 PROPOSED RE-ARRANGEMENT OF STATION BUILDINGS.
 B.S.D. 4-6-70
 CHIEF CIVIL ENGINEER

DRAWN	TRACED	CHECKED	CORRECTED	SCALE	PLAN NO
J.H.E.				1/8" = 1'-0"	5.5155 / 263-70

52279
 M 2-3