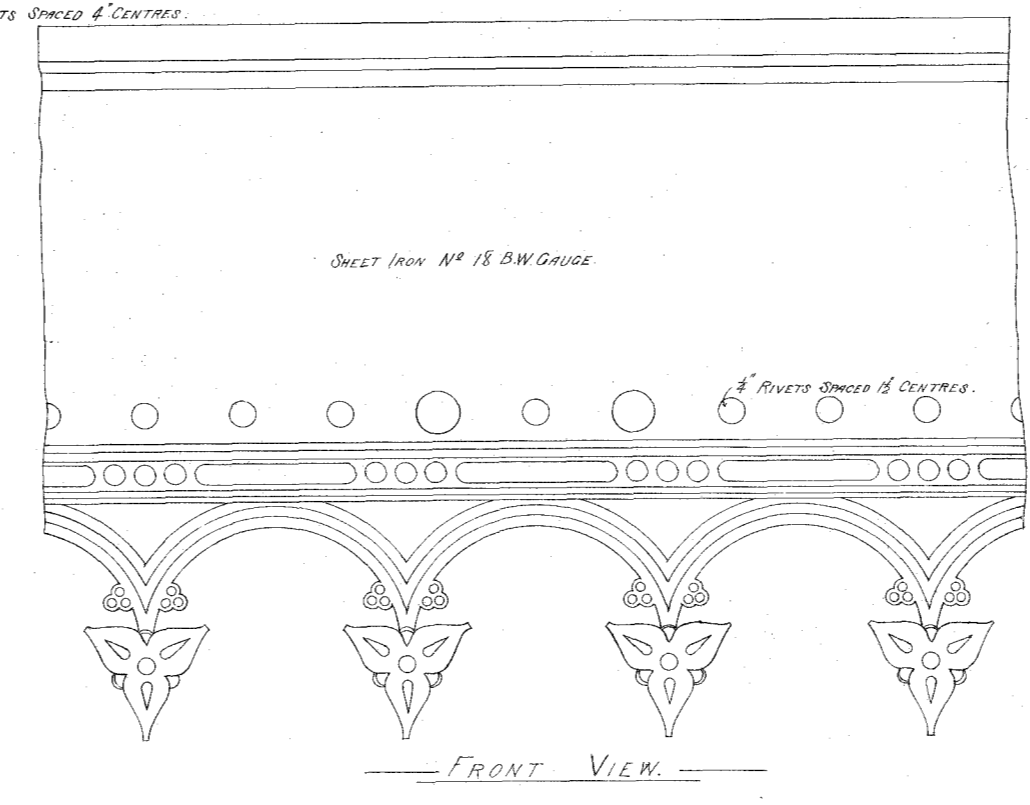
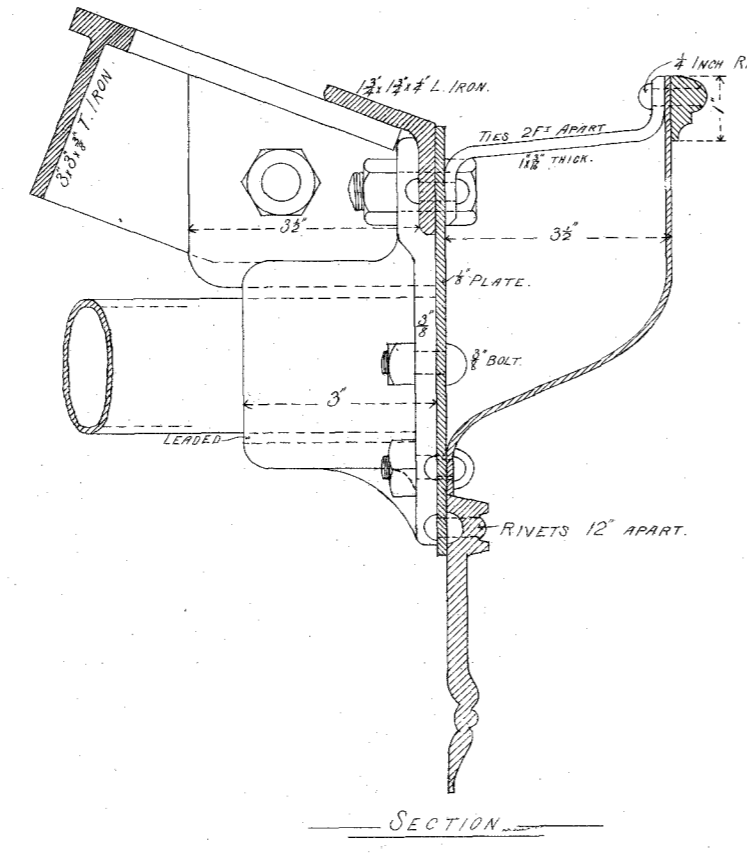
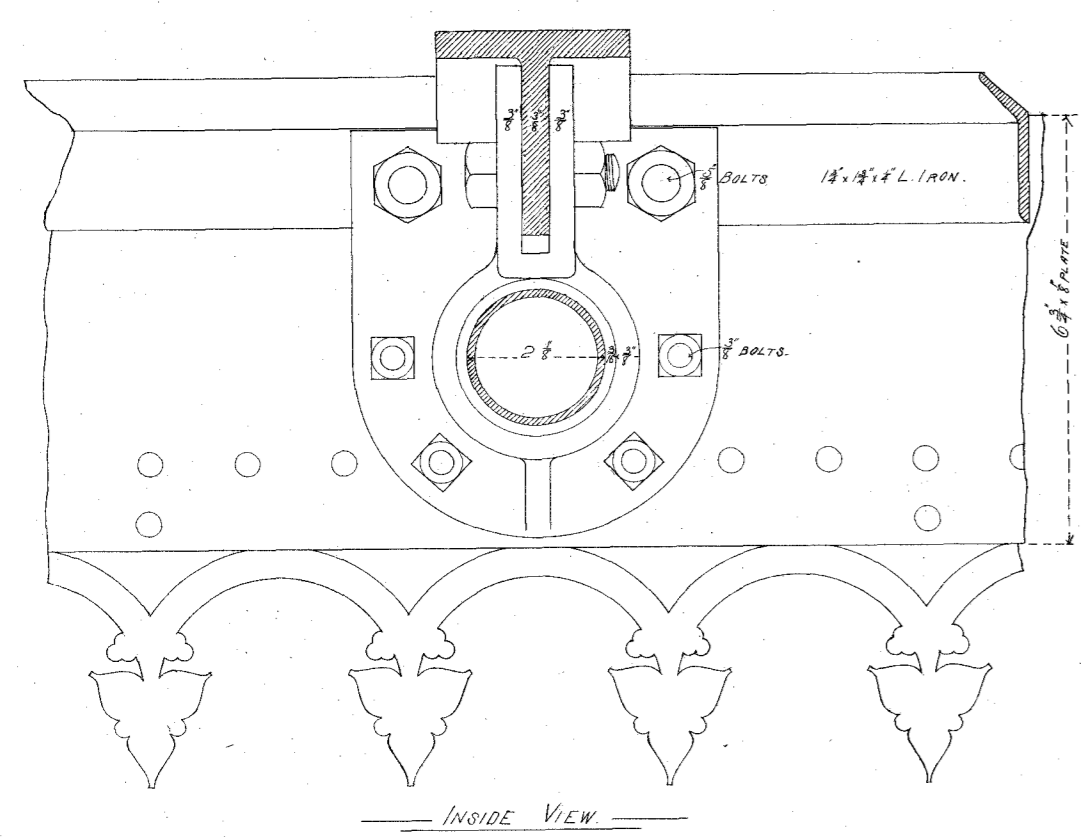


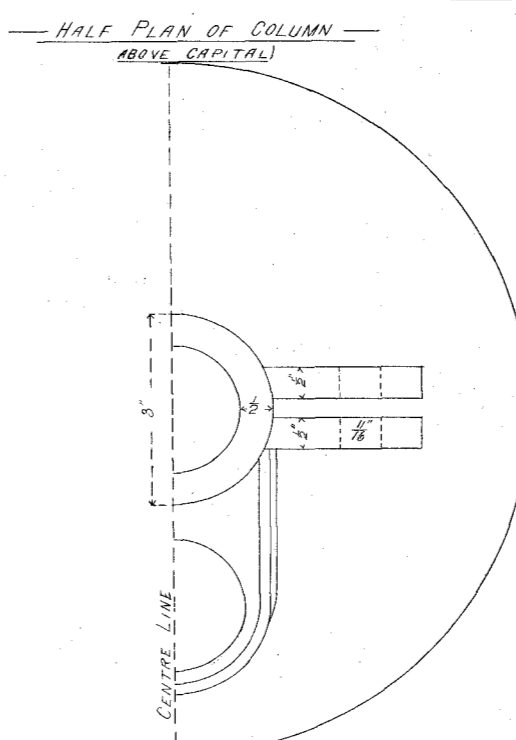
VICTORIAN RAILWAYS.

Melbourne and Coburg Line
 Station Buildings at Coburg
 DETAILS OF IRONWORK FOR VERANDAH
 SCALE 6 INCHES TO ONE FOOT

CONTRACT No 2947
 No 6

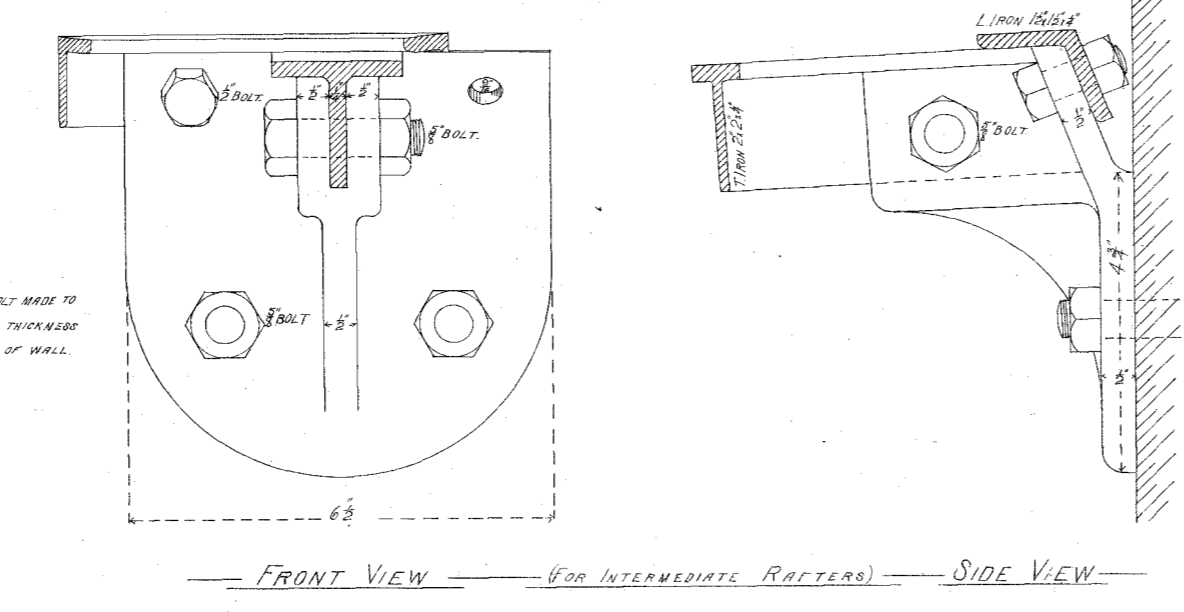
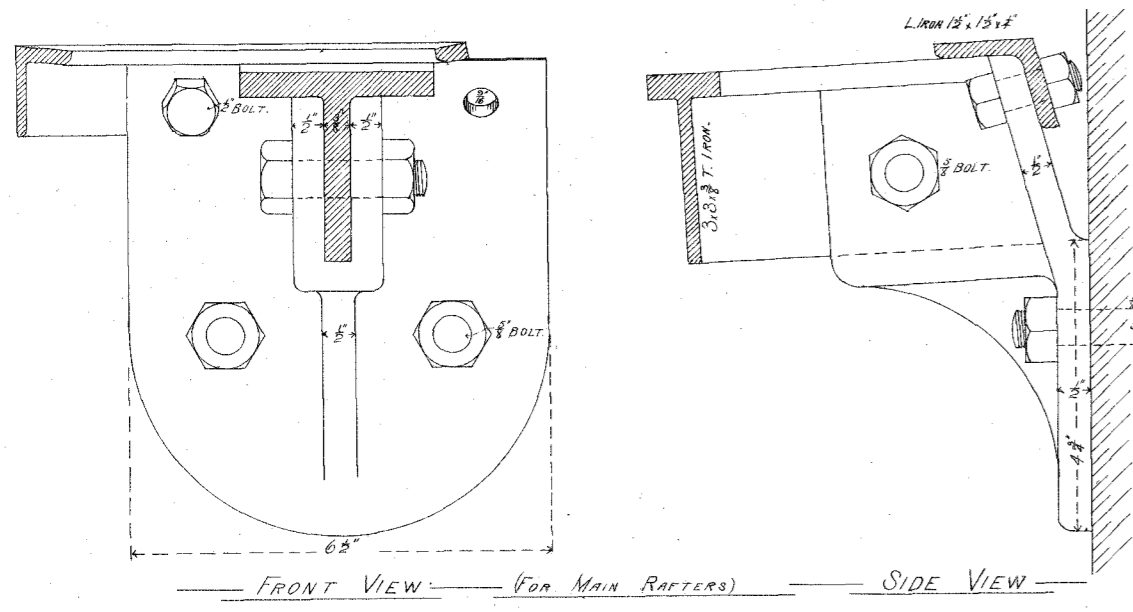
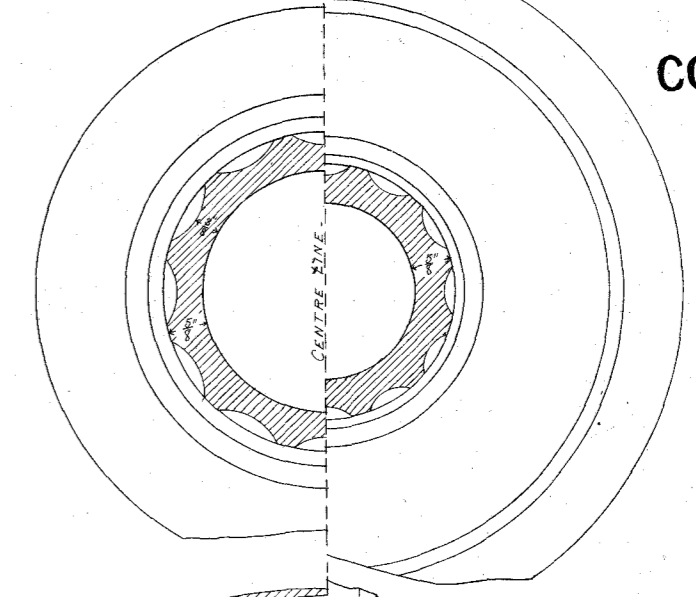


EAVES GUTTER AND BRACKET

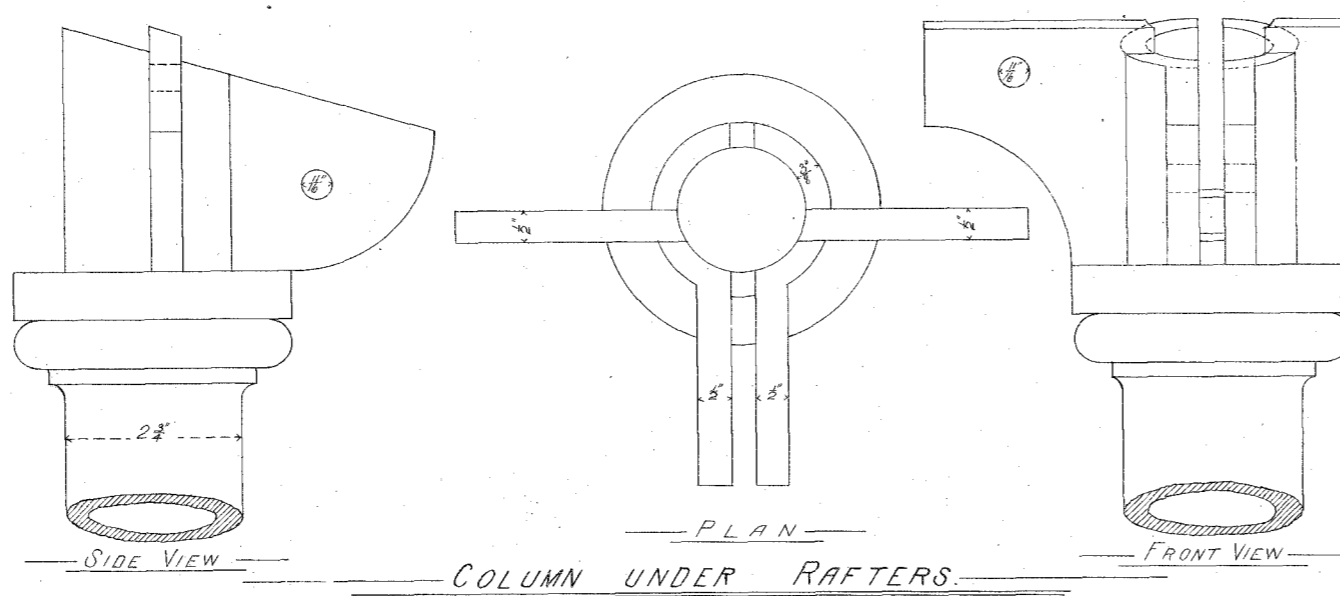
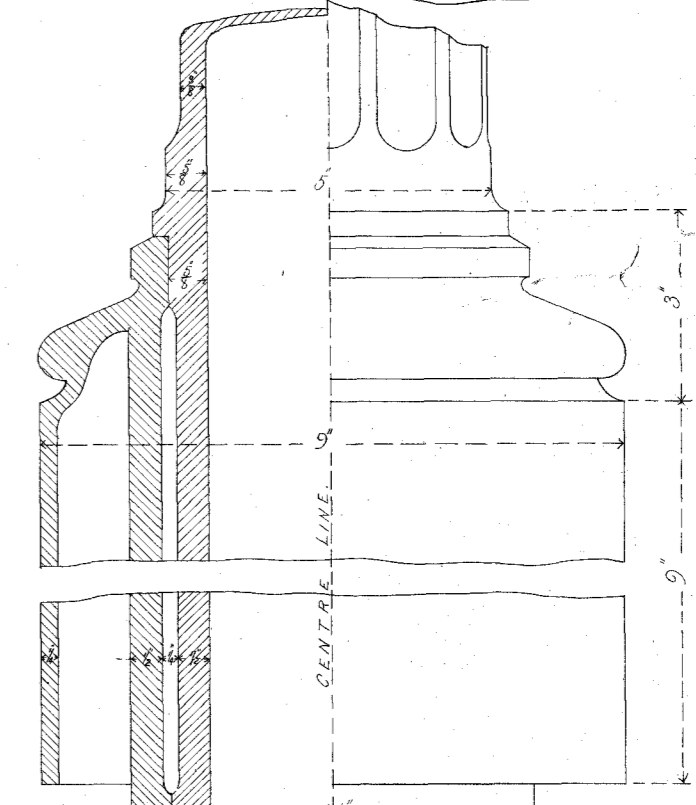
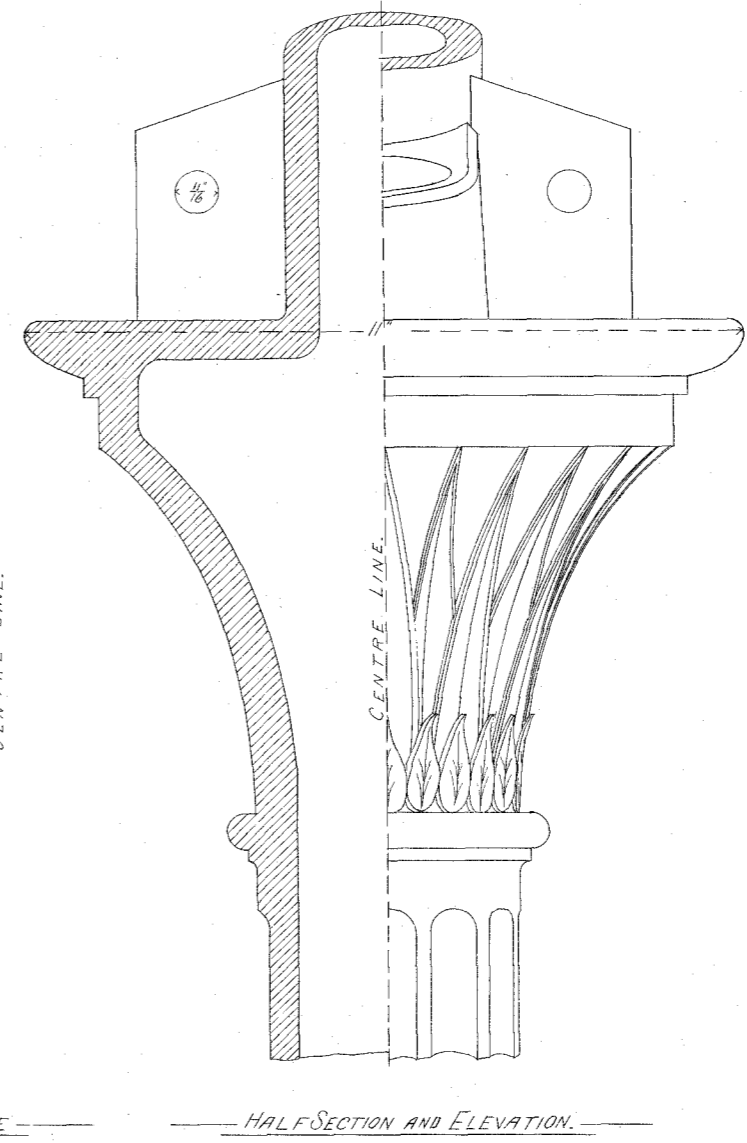
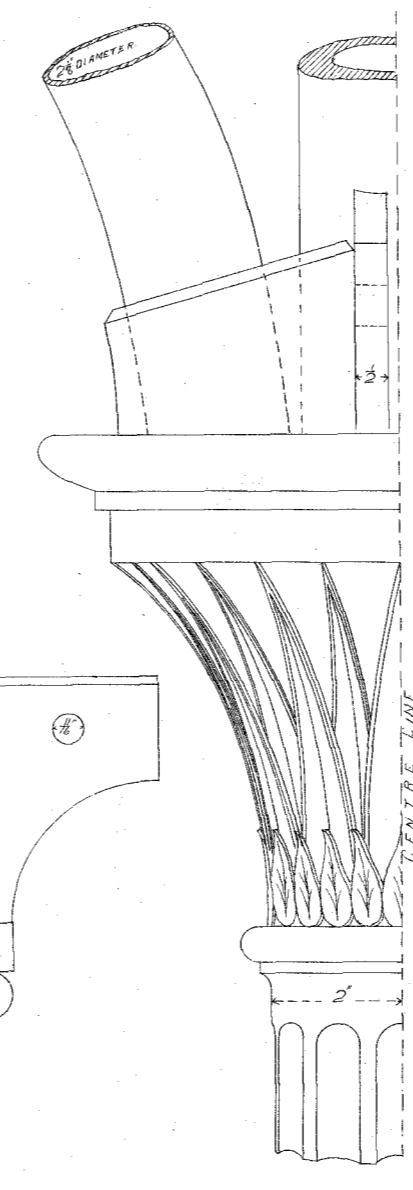


HALF PLAN OF COLUMN ABOVE BASE

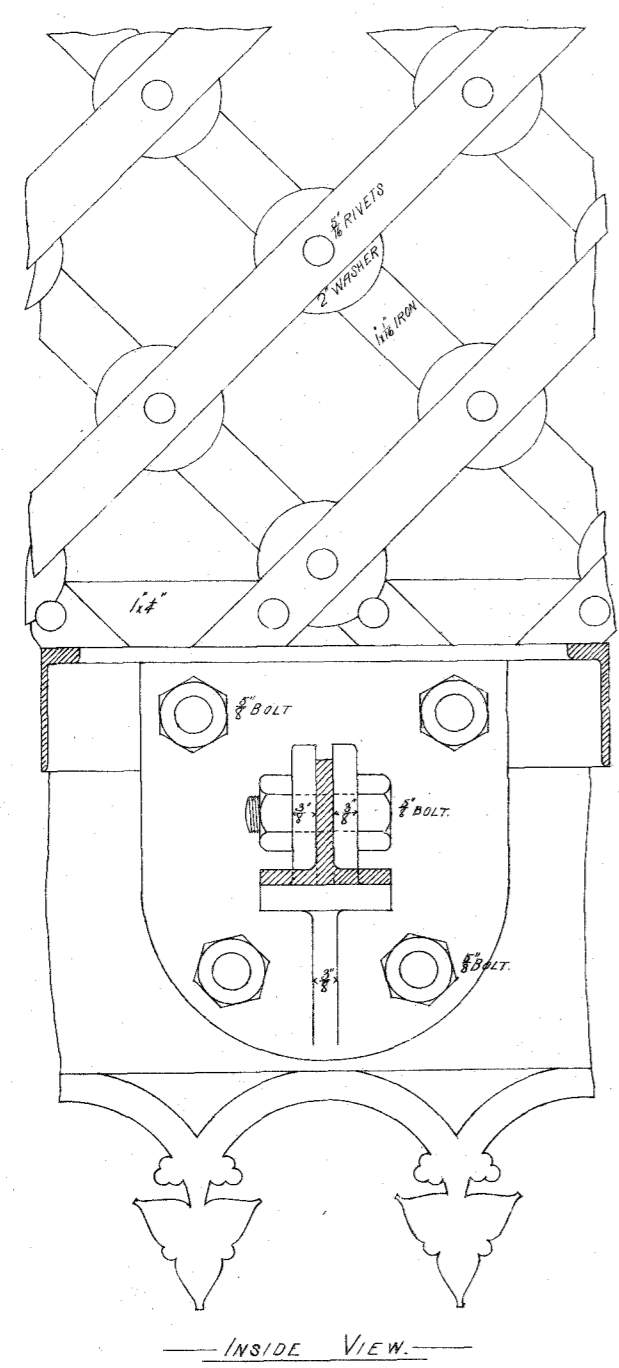
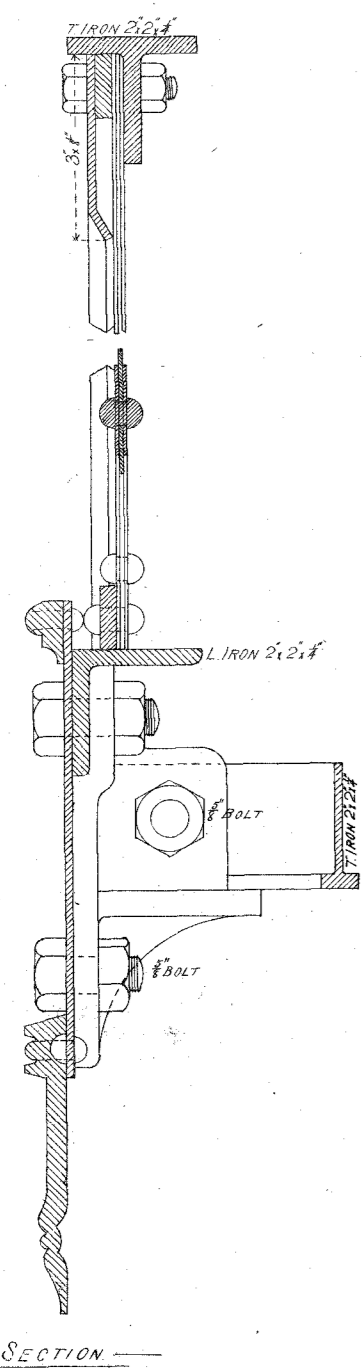
HALF PLAN OF COLUMN CAPITAL (LOOKING UP)



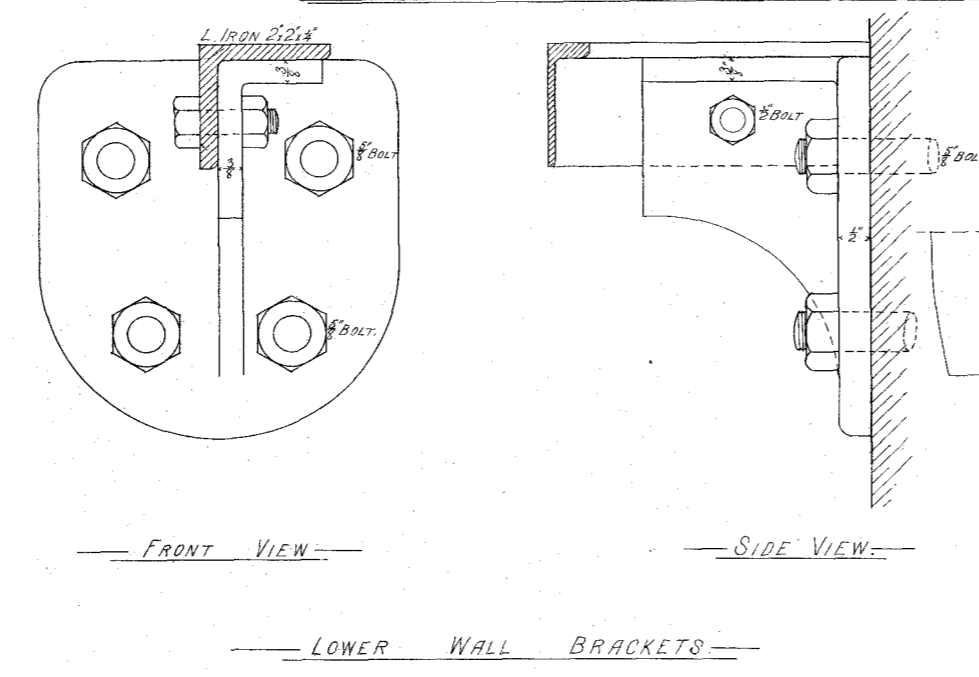
WALL BRACKETS



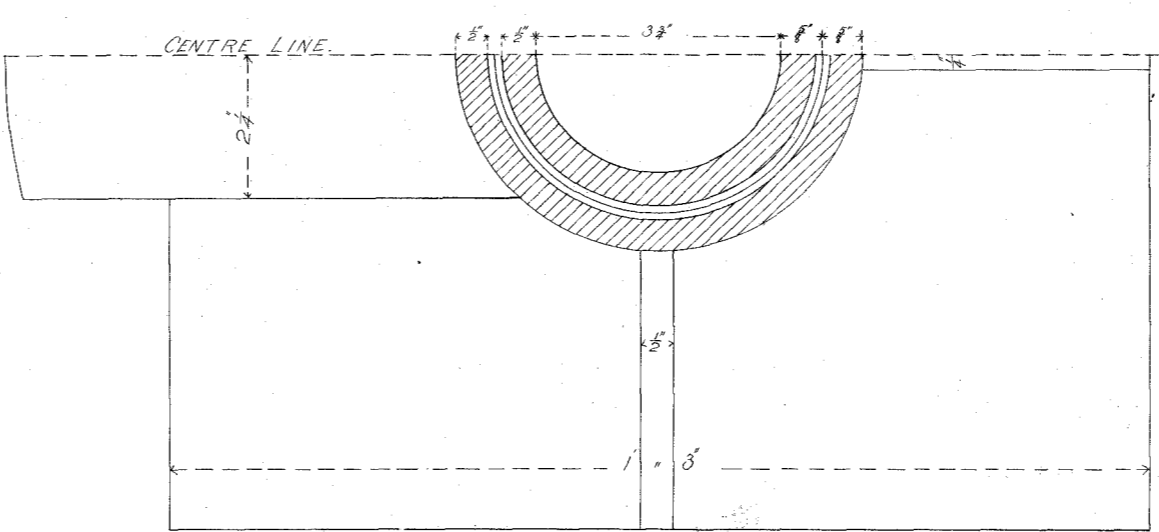
COLUMN CAPITAL



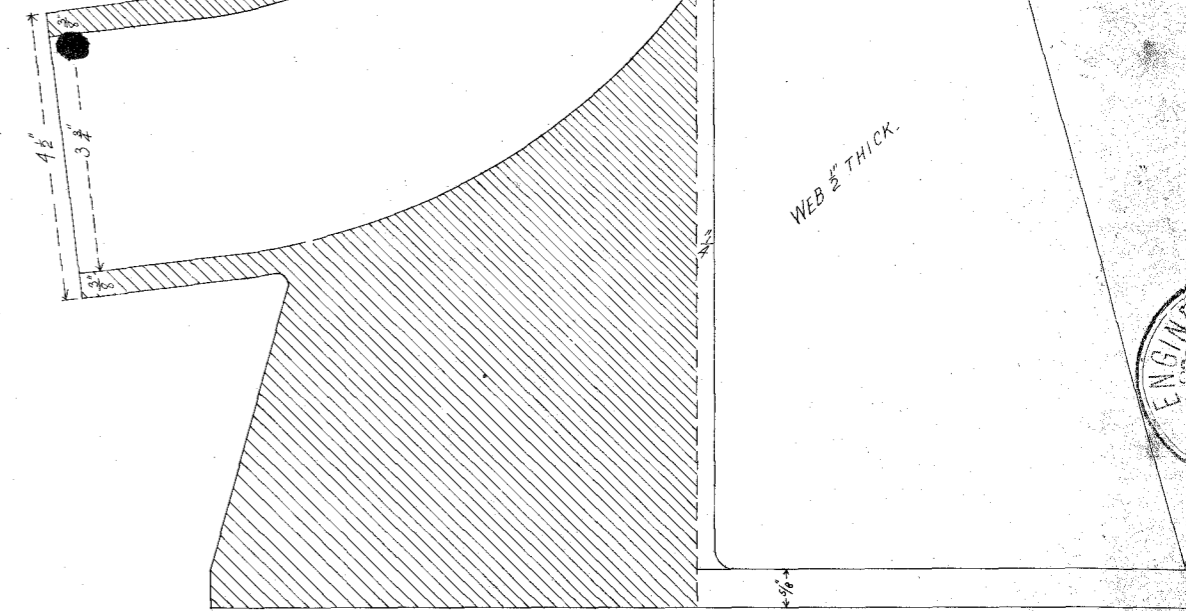
BRACKETS LATTICE SPANDRILS



LOWER WALL BRACKETS



HALF PLAN OF COLUMN FOOTPIECE



HALF SECTION AND ELEVATION OF COLUMN BASE AND FOOTPIECE

I accept this as one of the Drawings referred to in the Specification and Conditions upon which... based
 Proc. Tender Dated the... day of...
 Signature of Contractor...
 Witness to Signature...
 Date... 7.1.1877

