

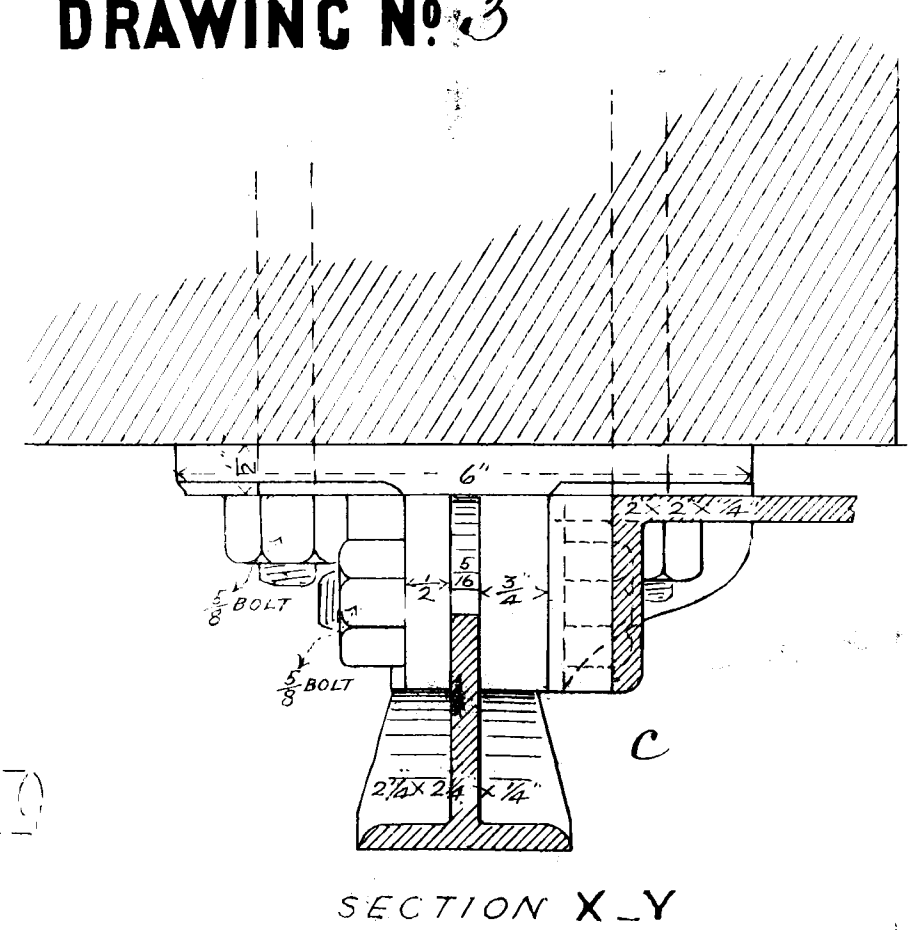
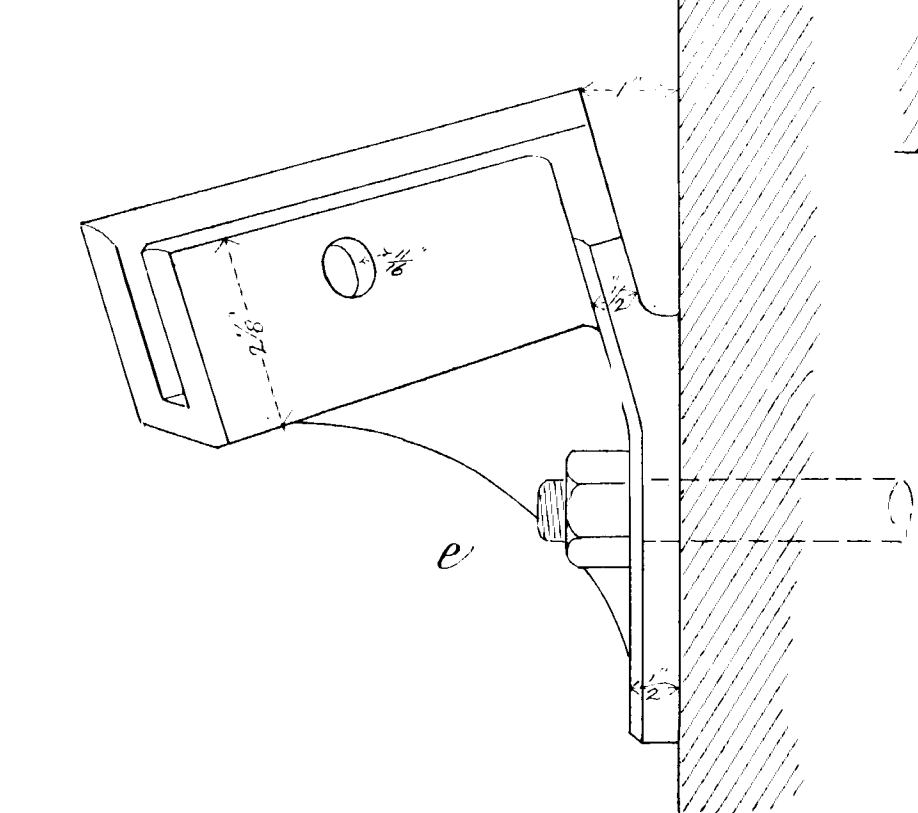
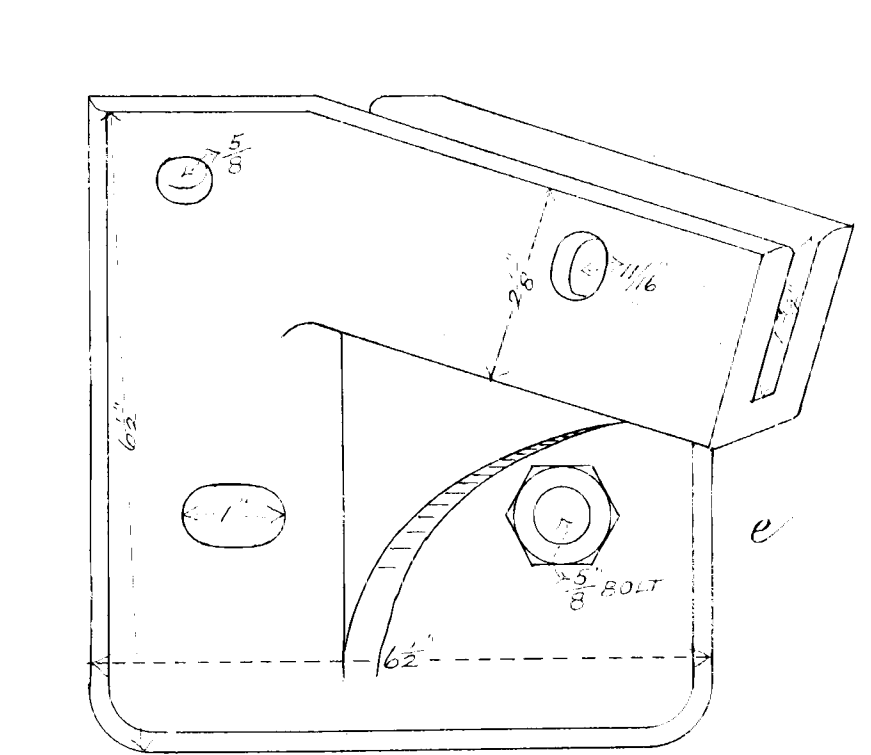
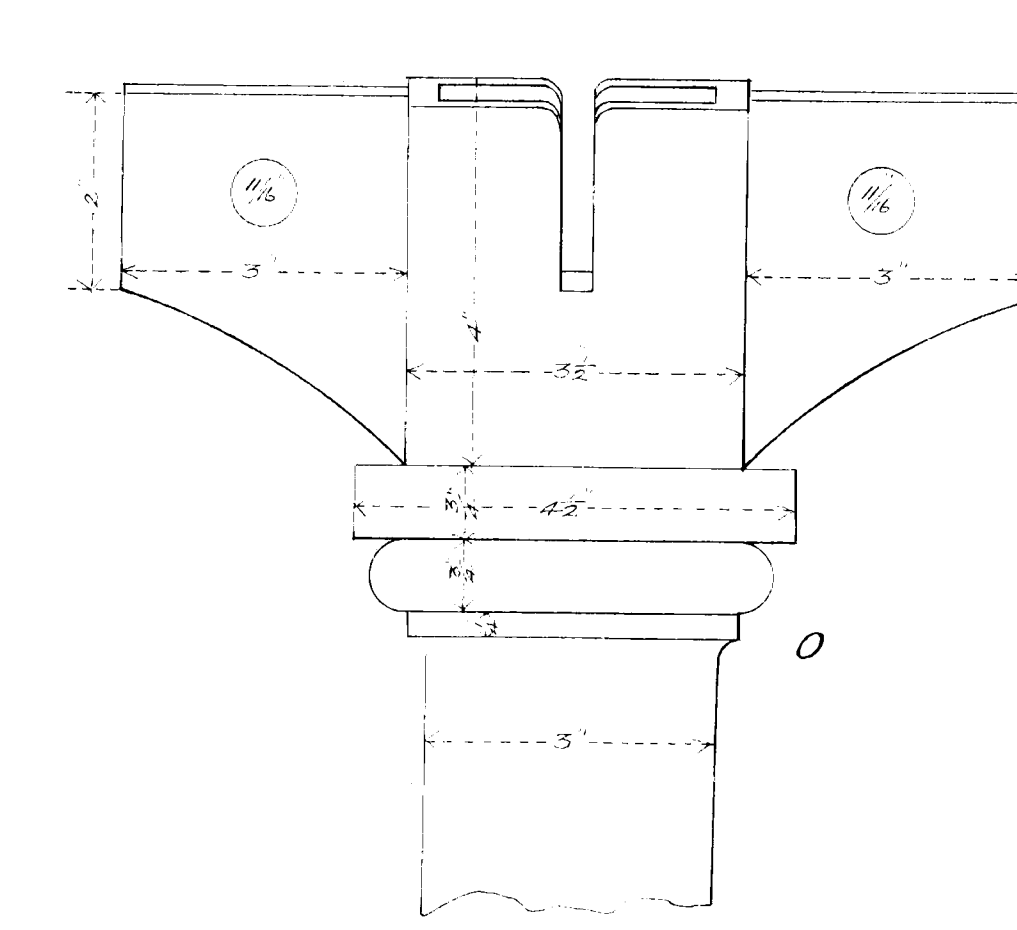
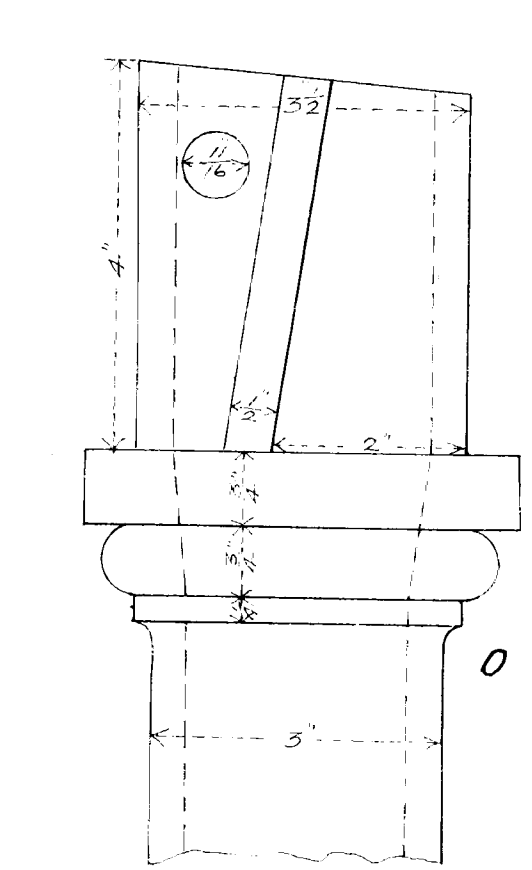
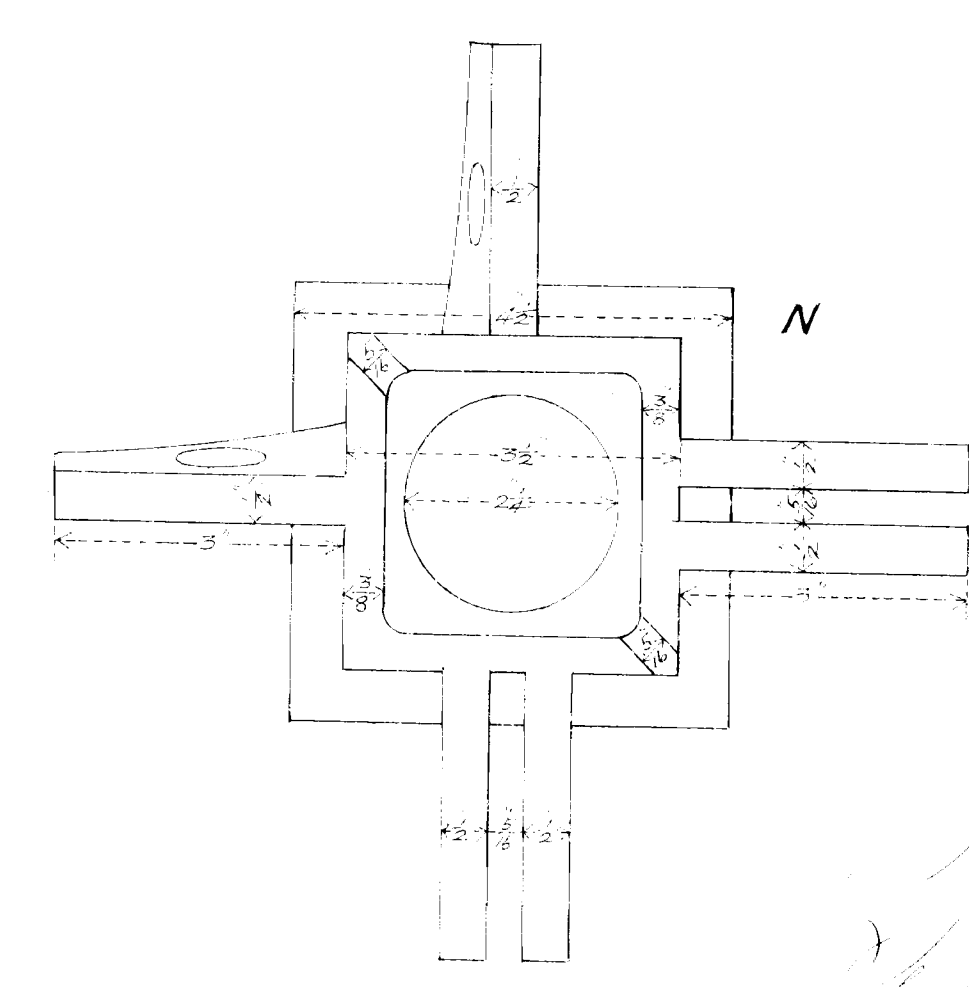
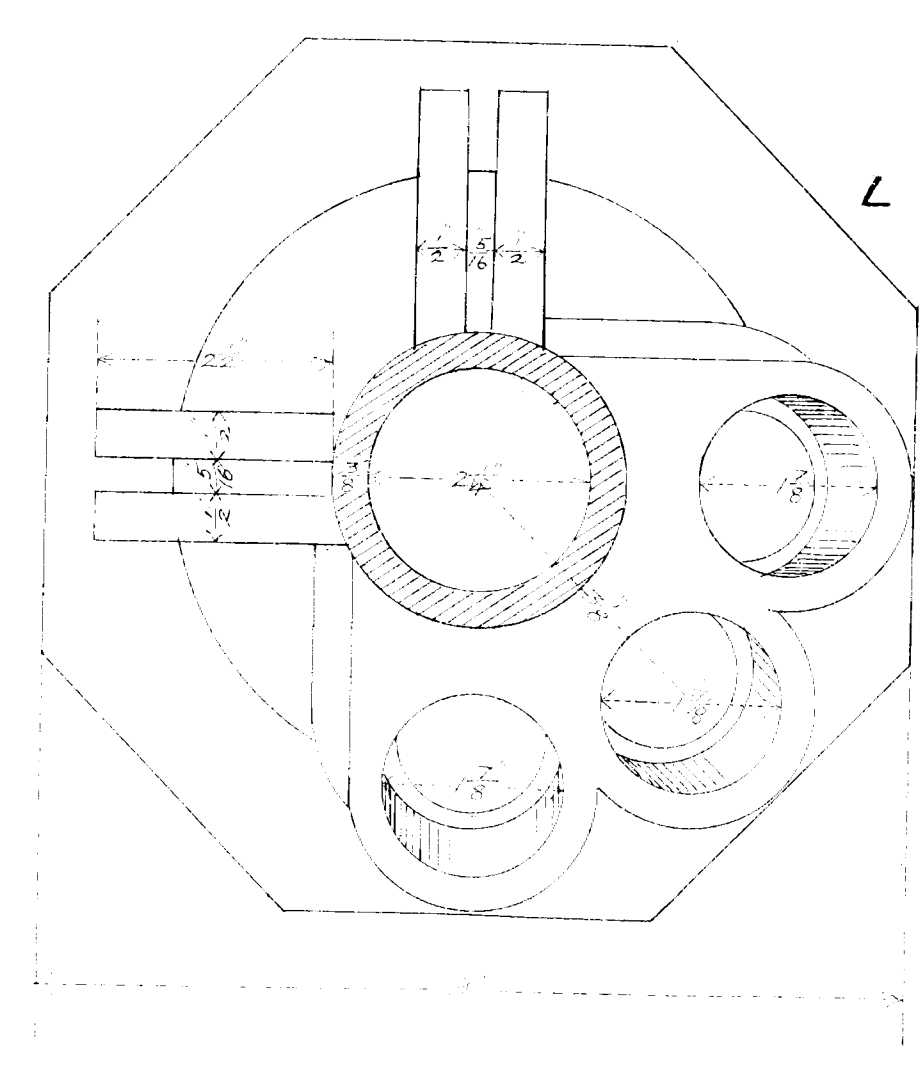
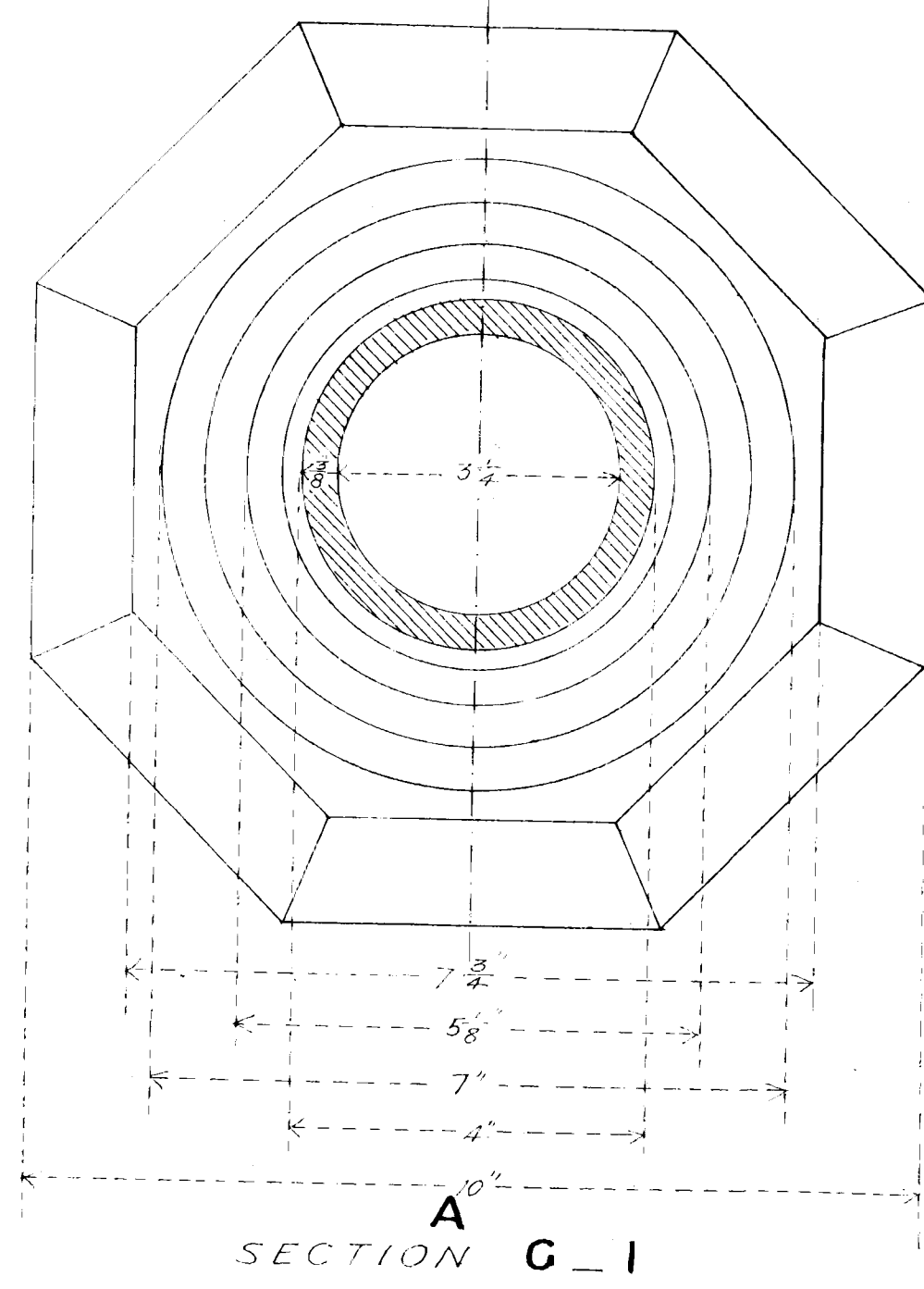
Details for
IRON VERANDA

Station Building at Maroocha

Scale 1/2 full size

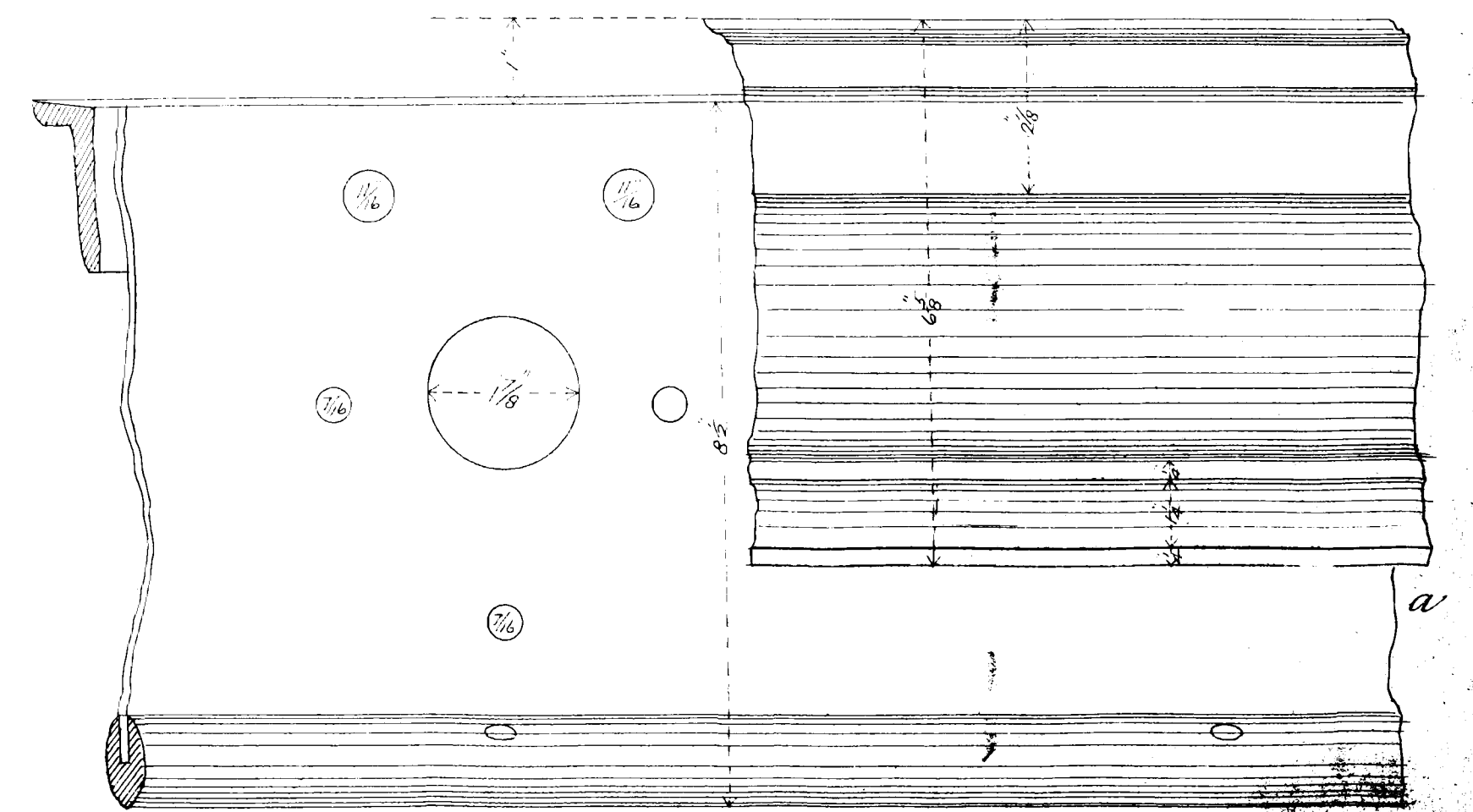
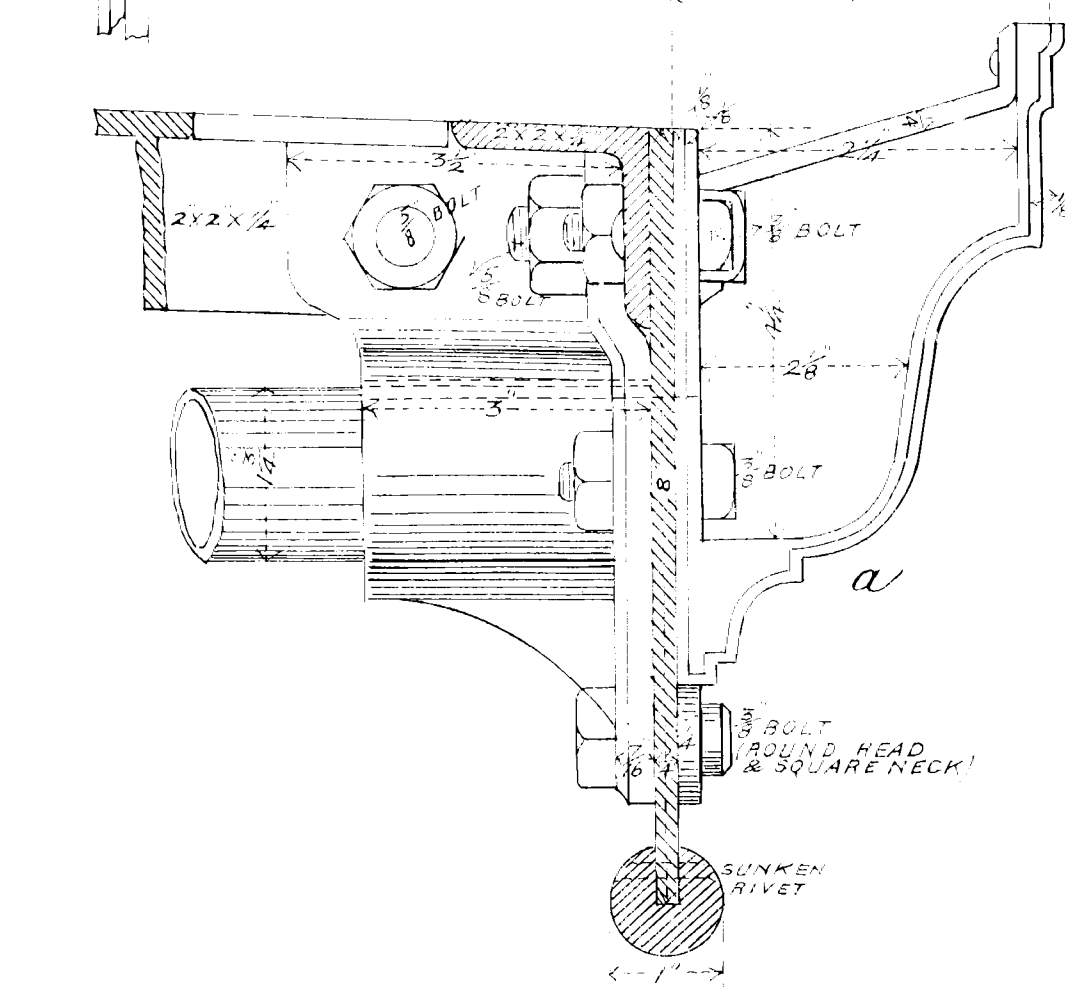
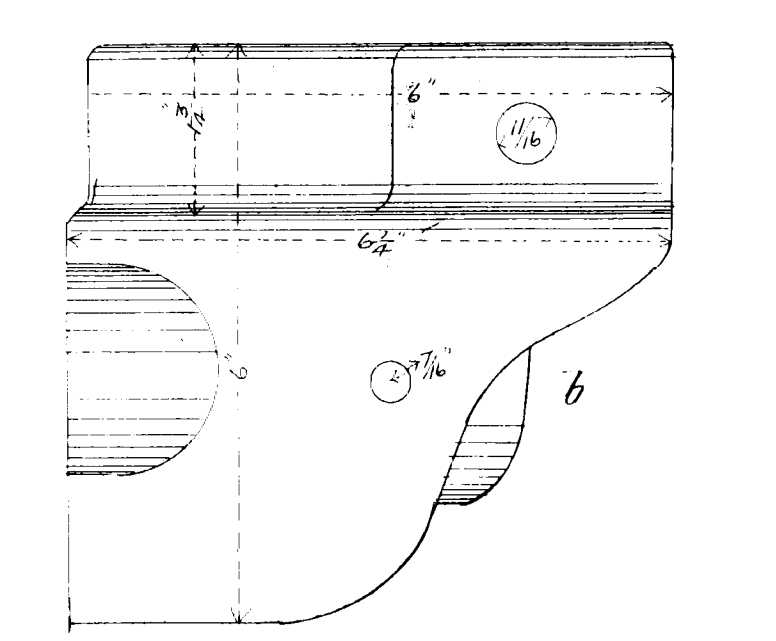
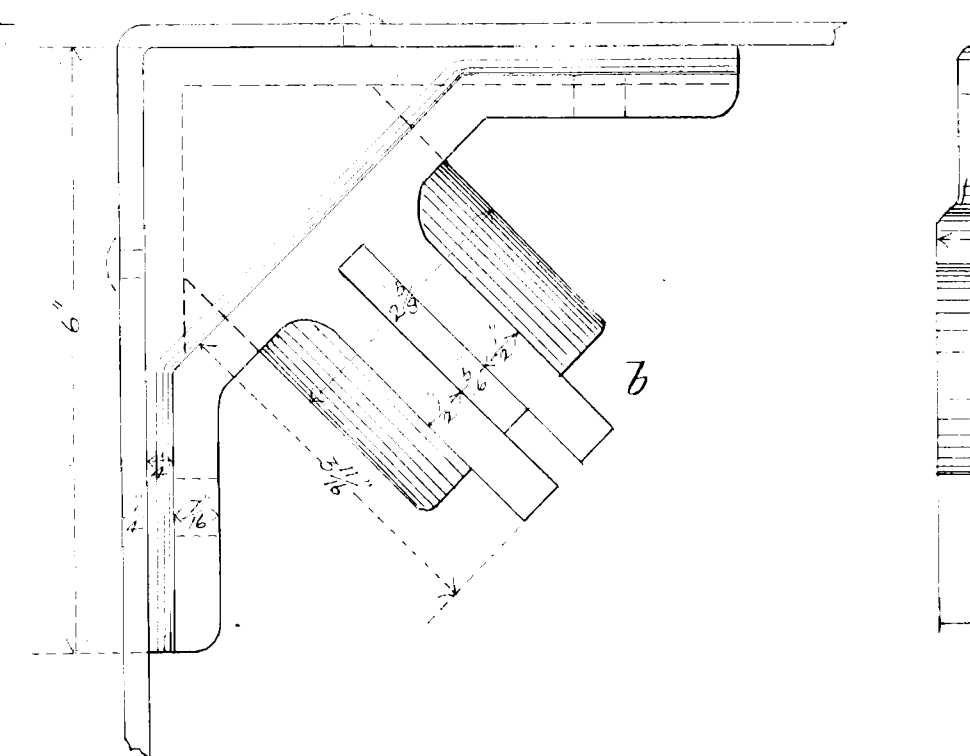
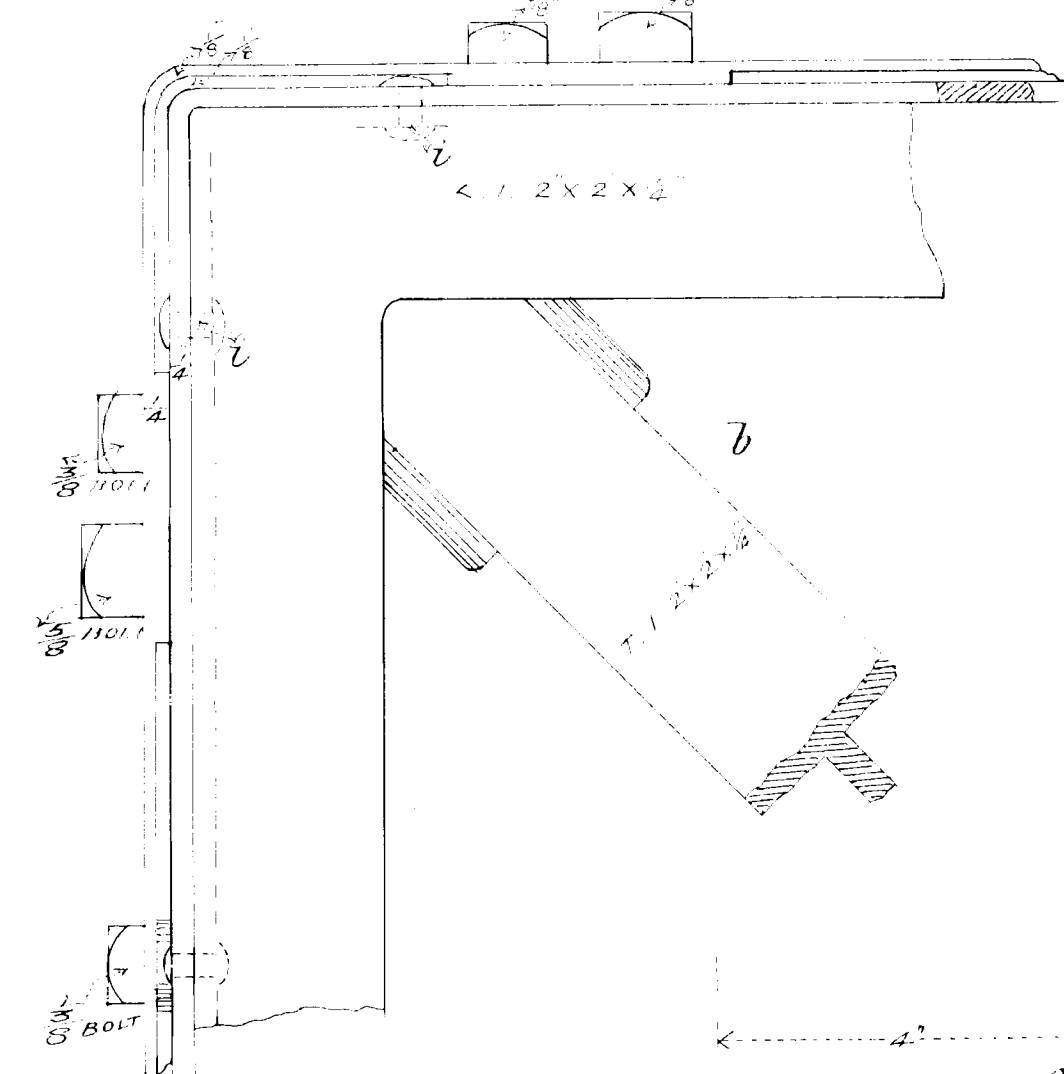
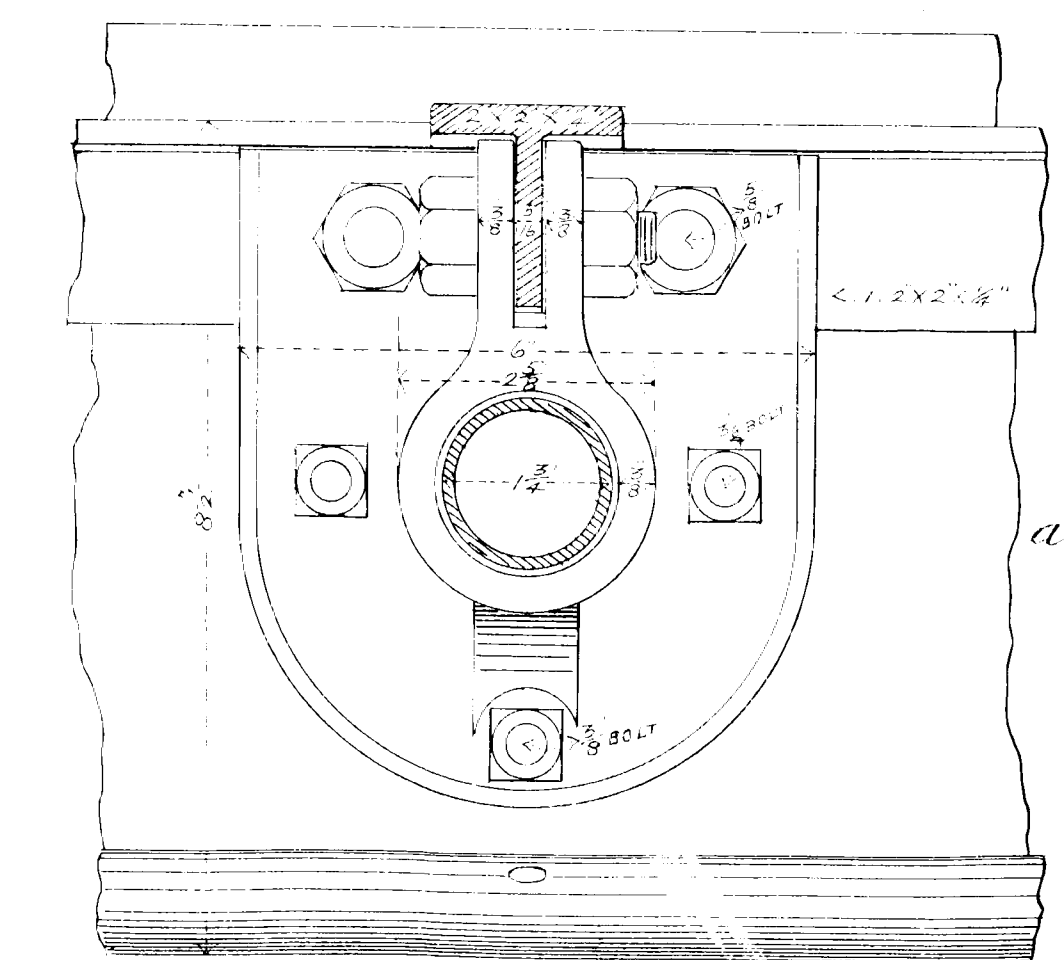
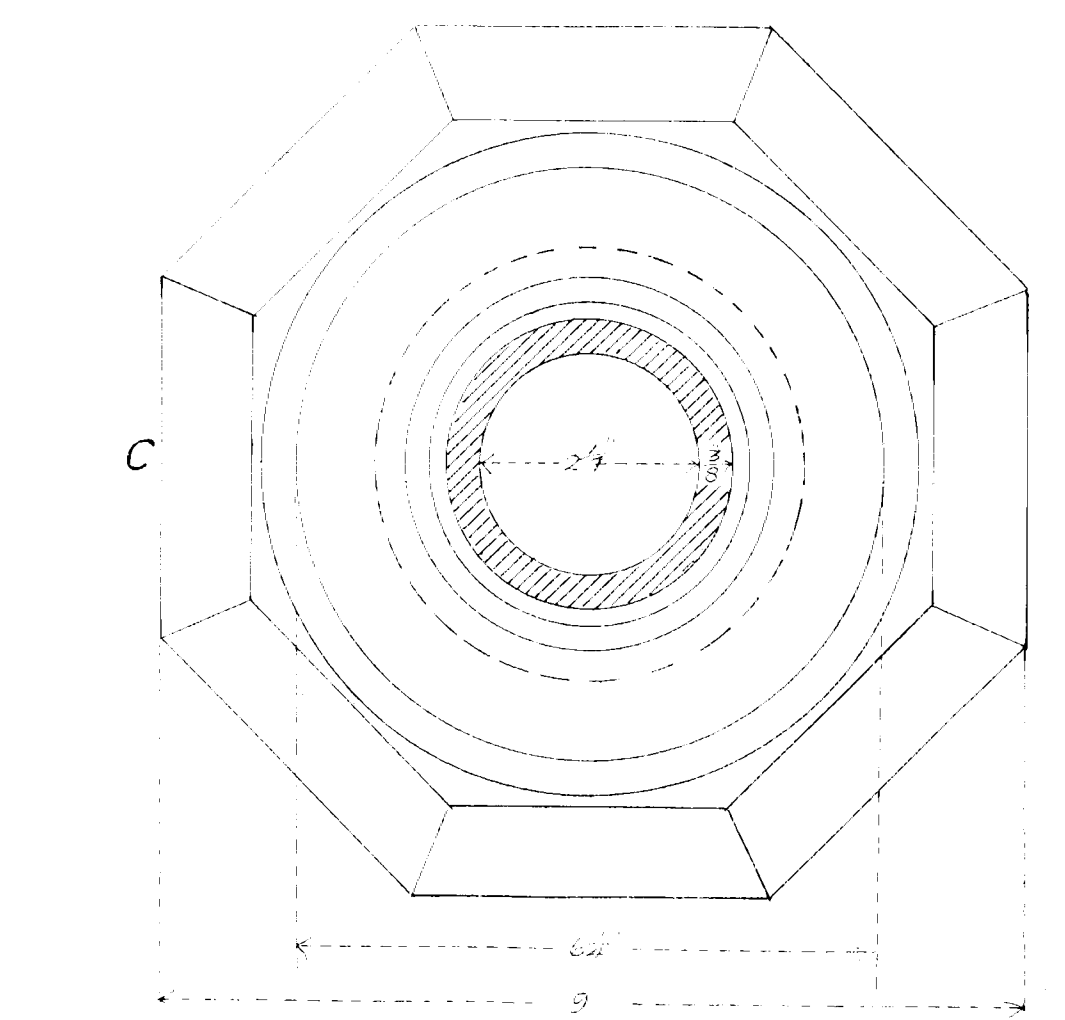
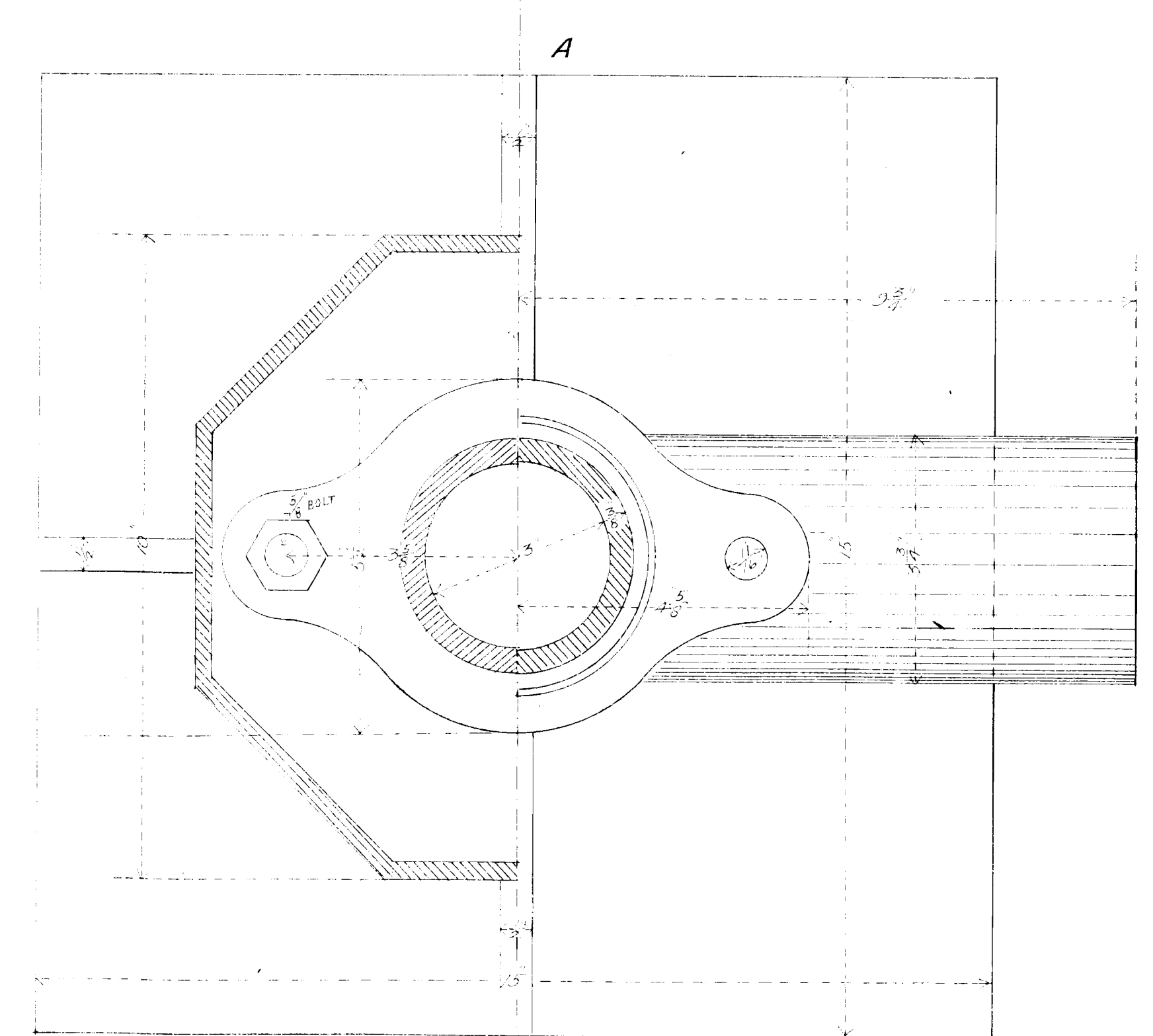
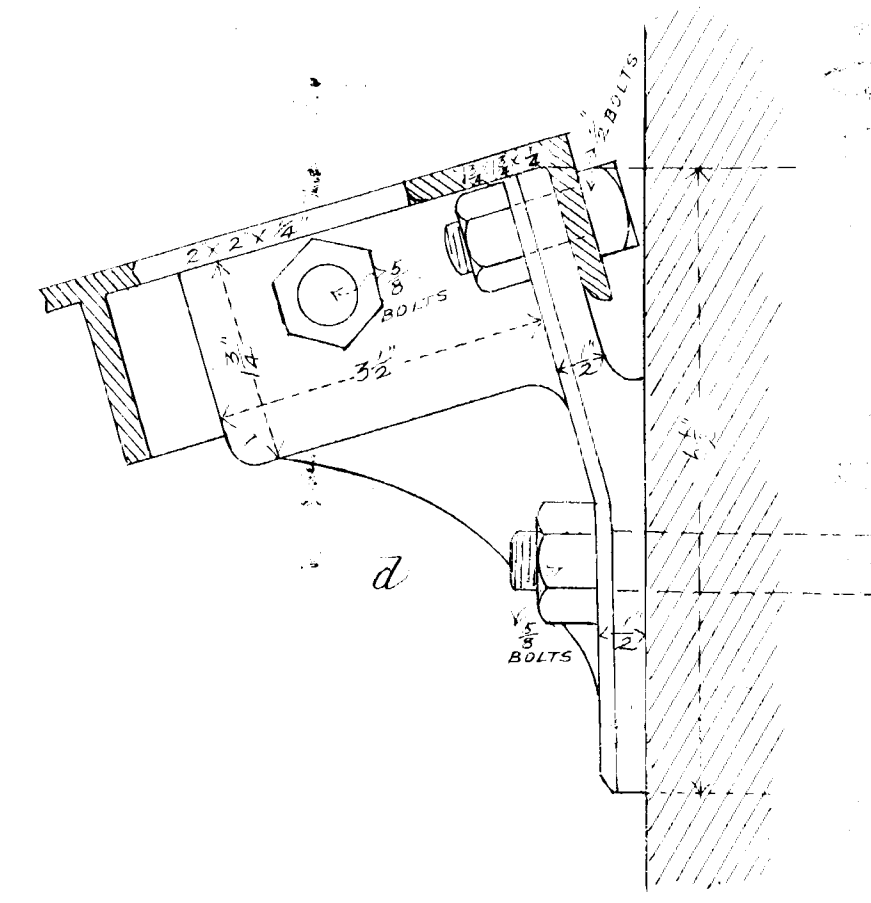
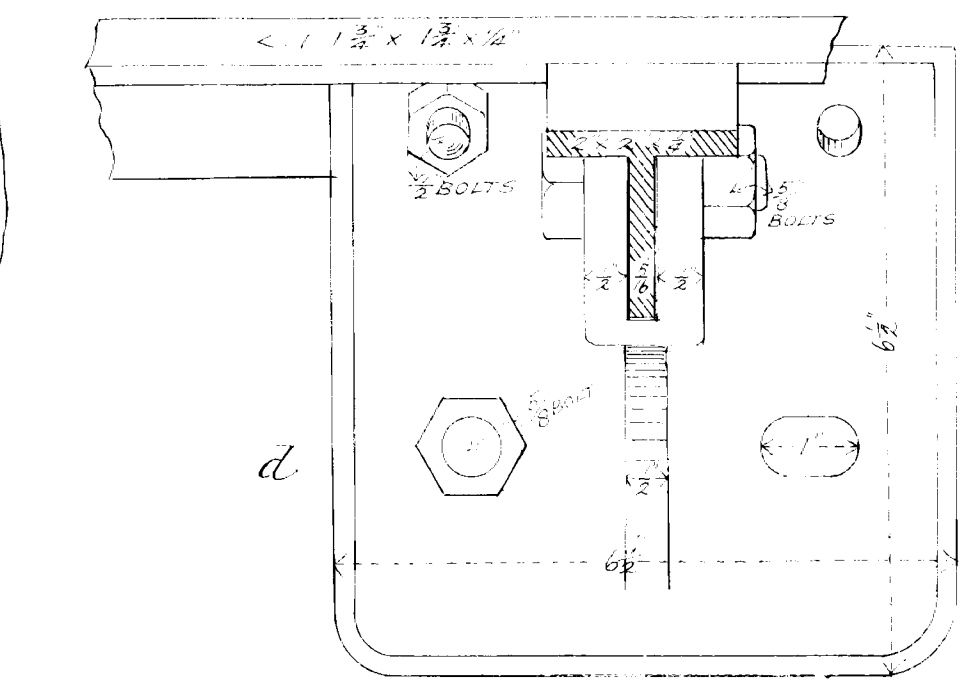
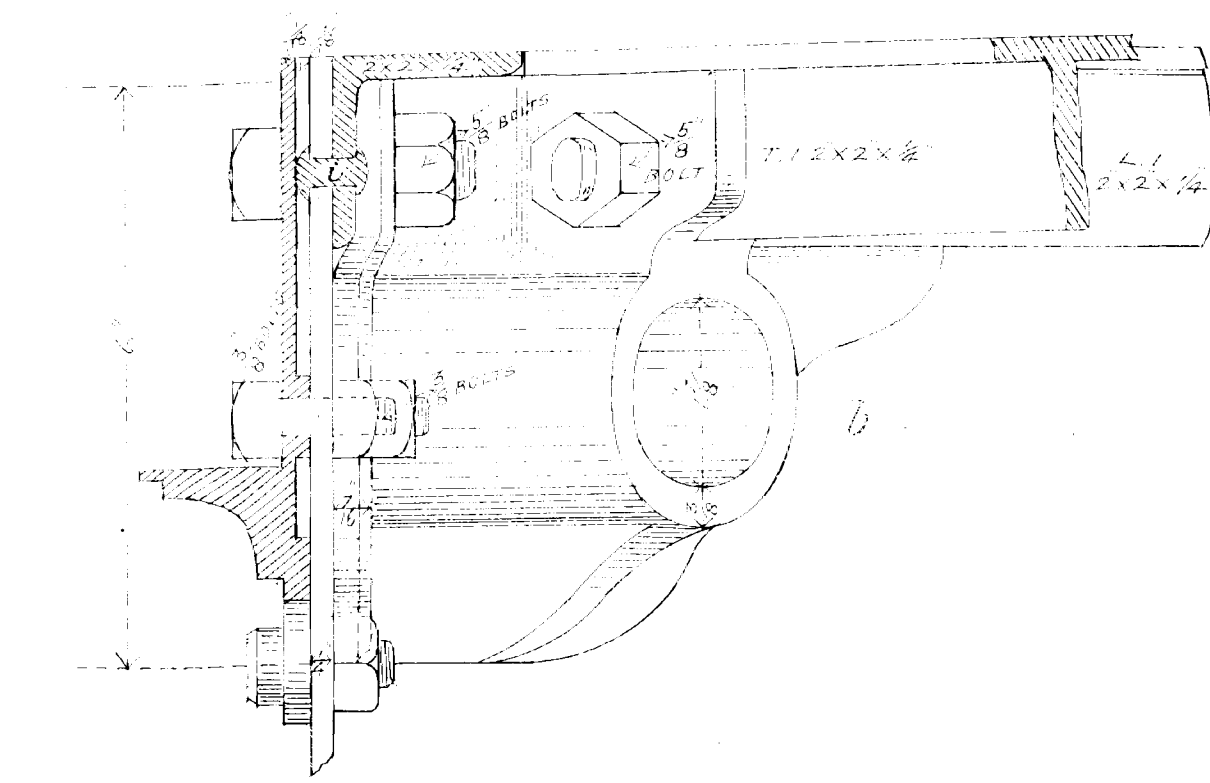
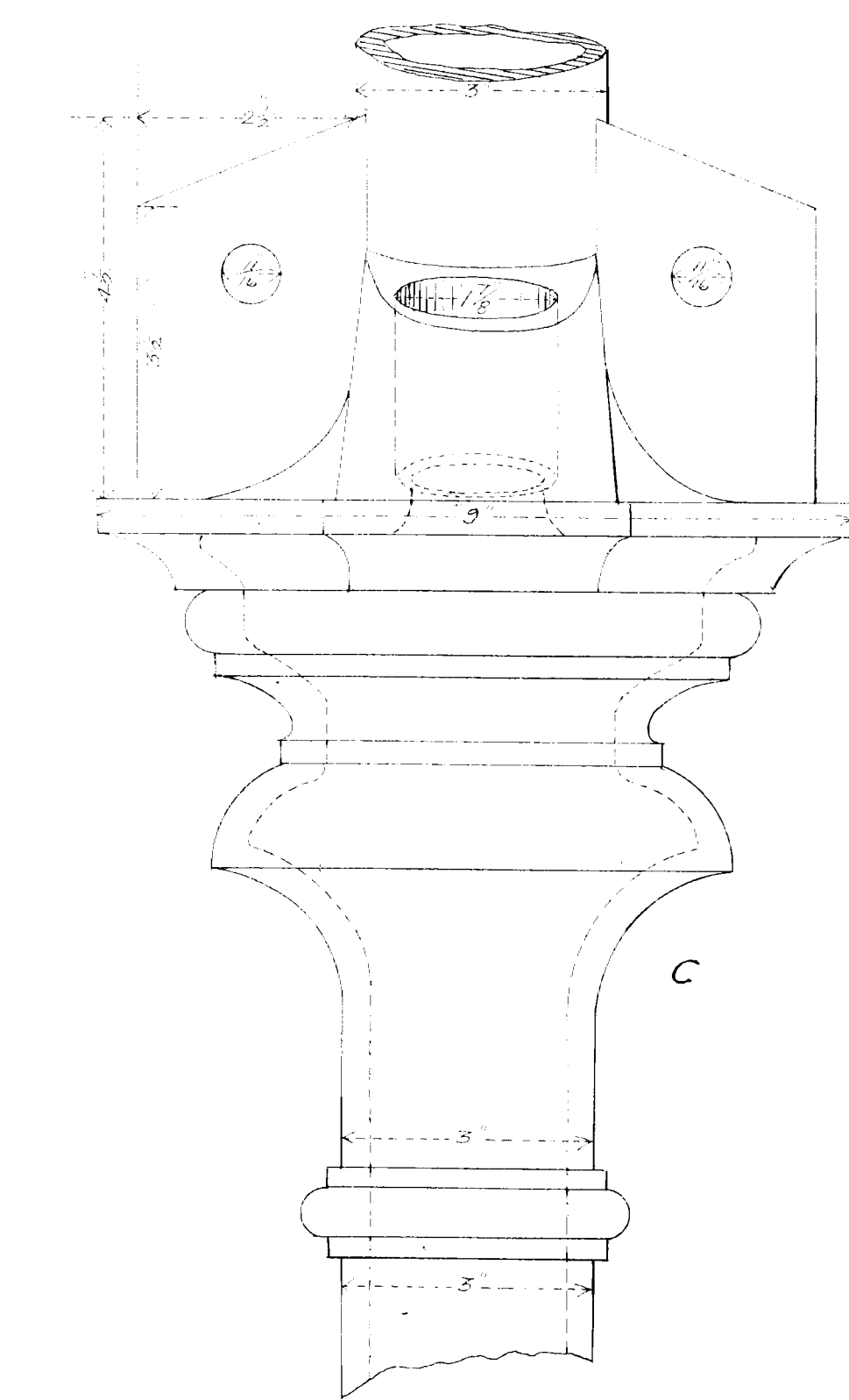
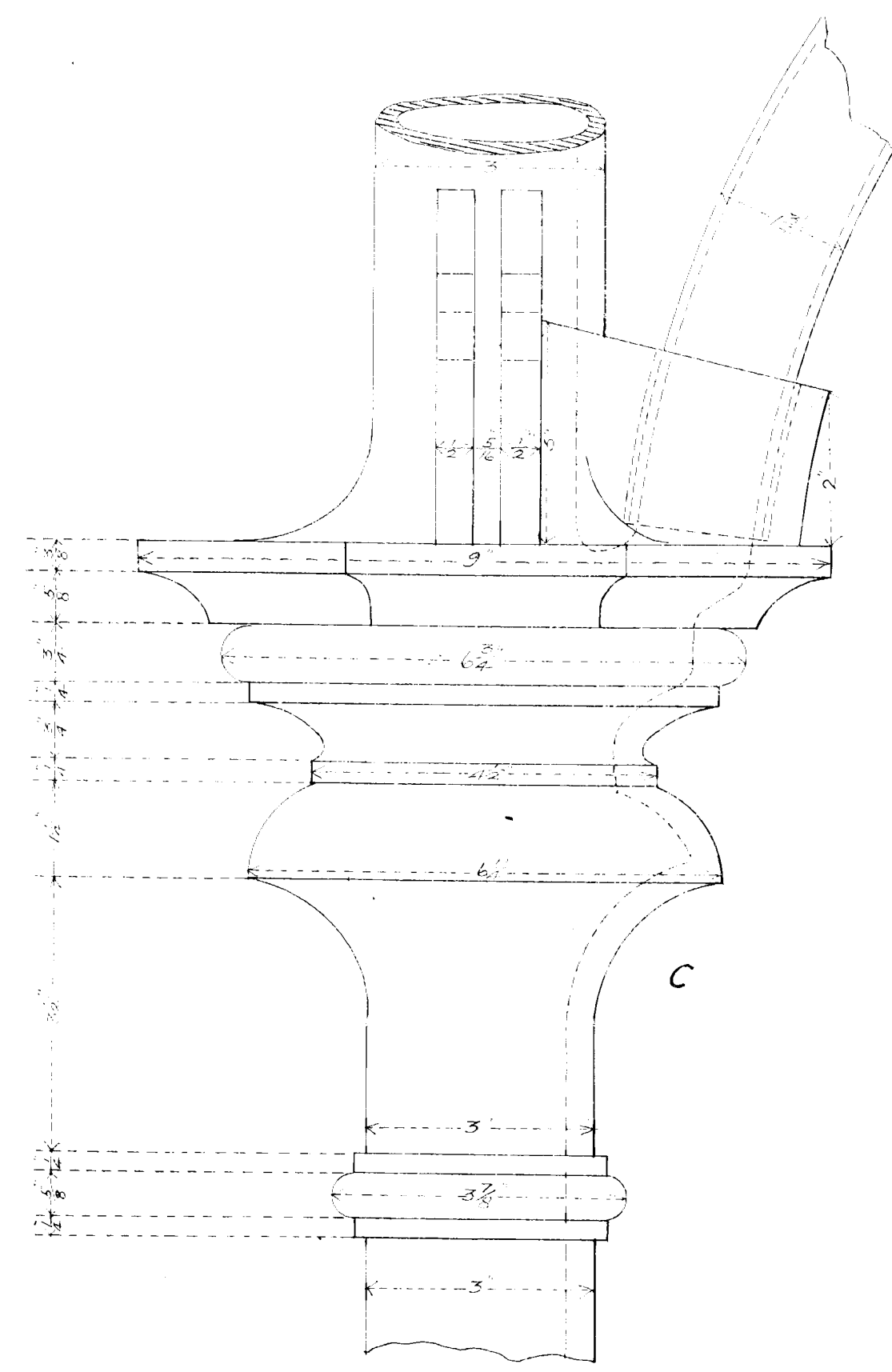
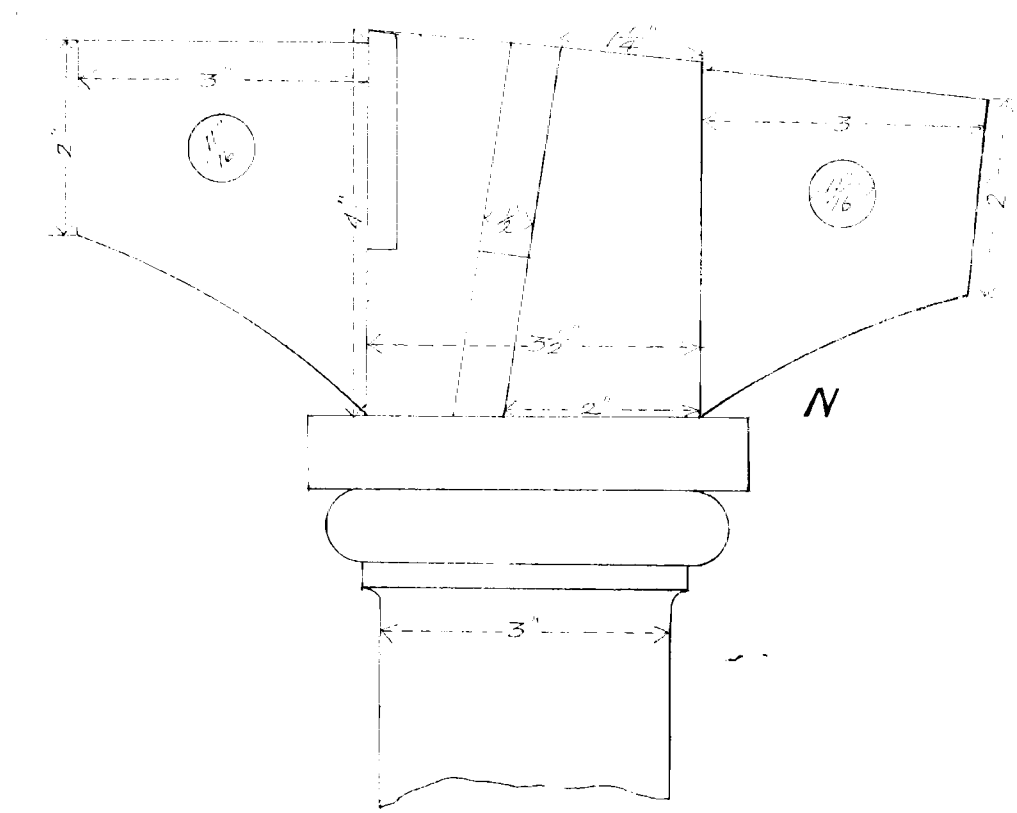
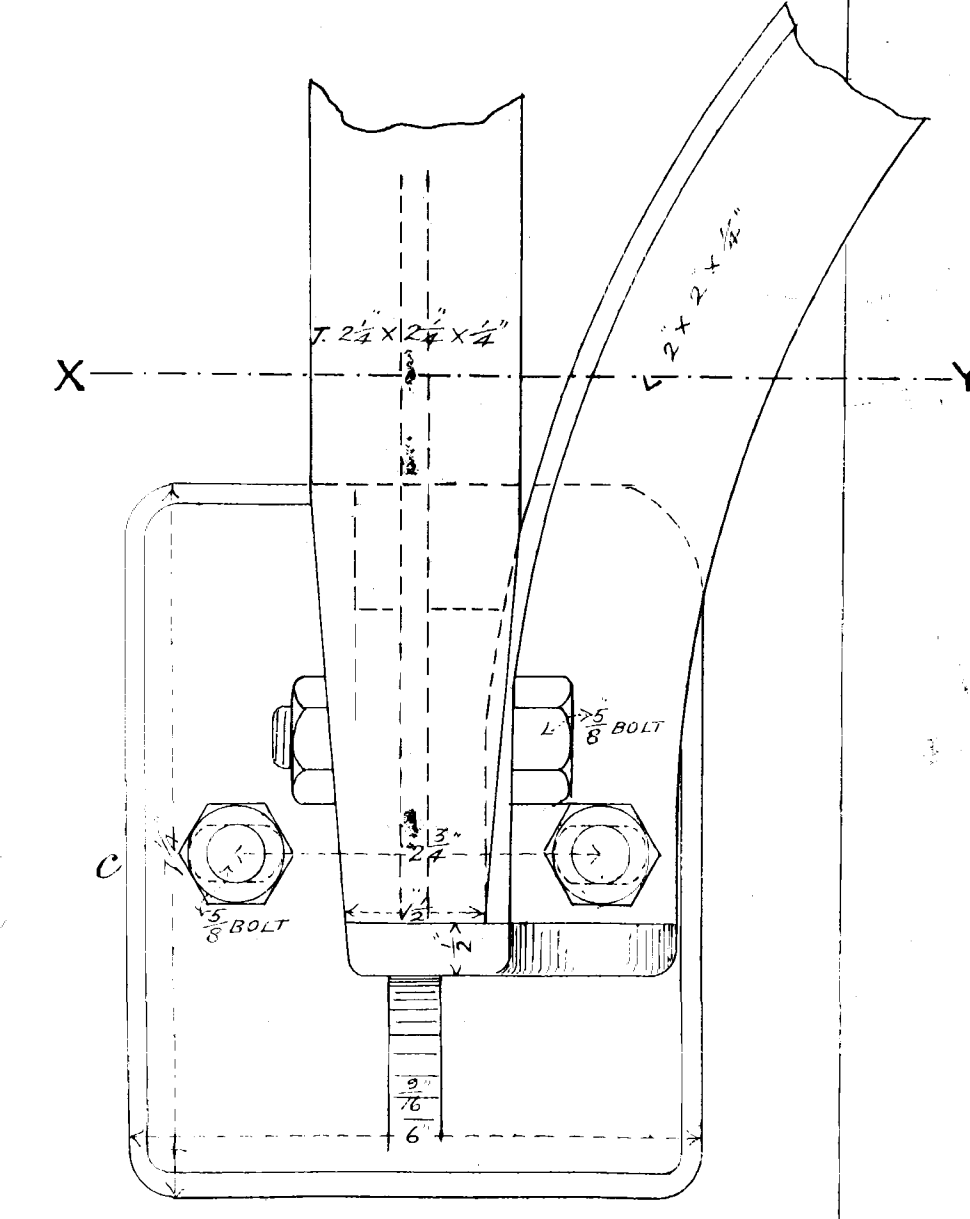
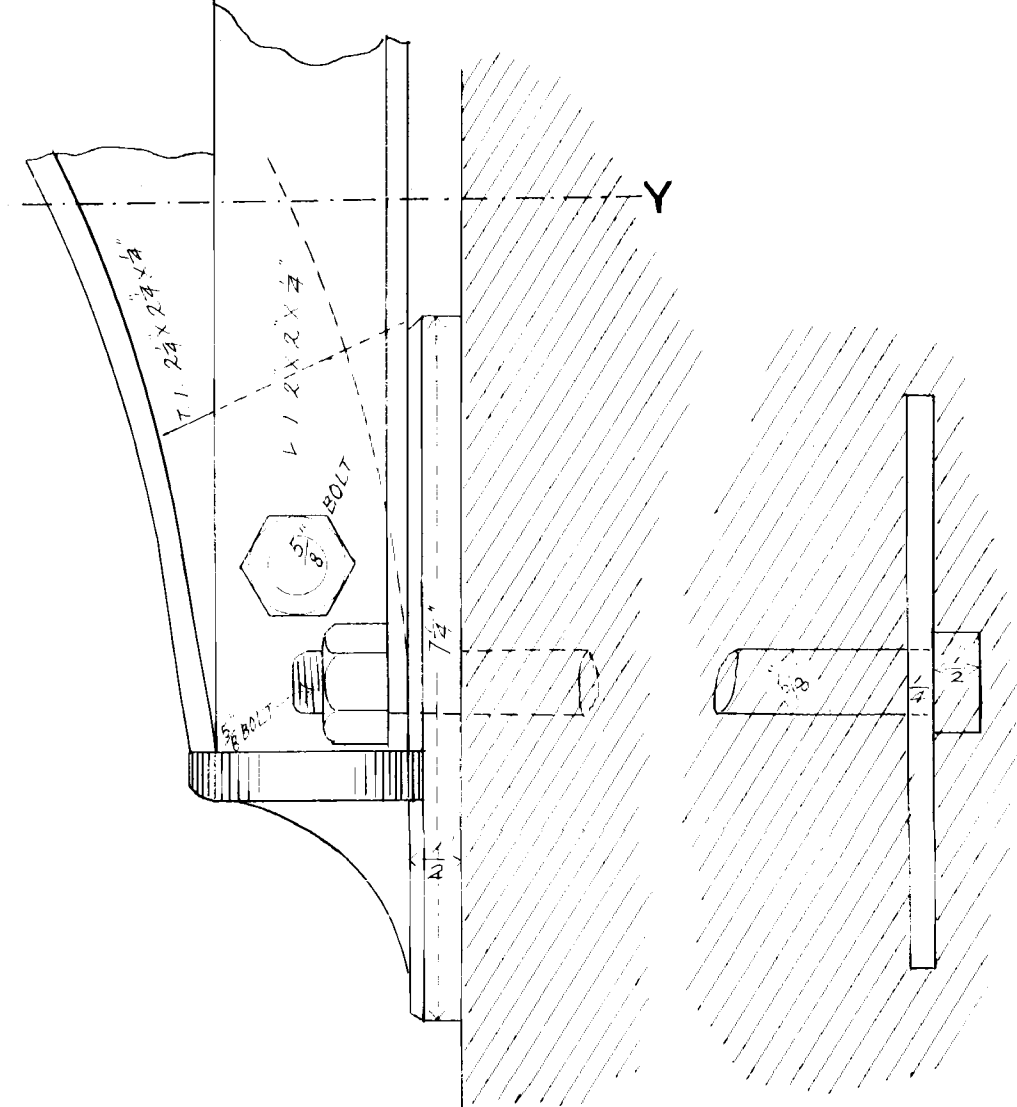
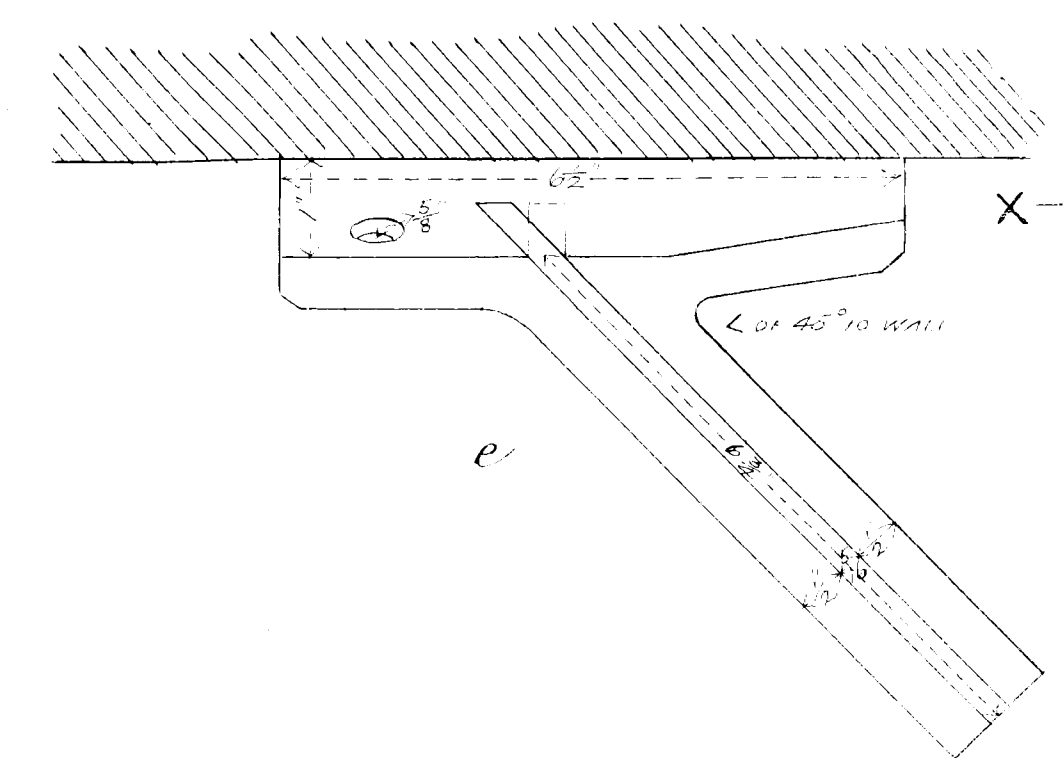
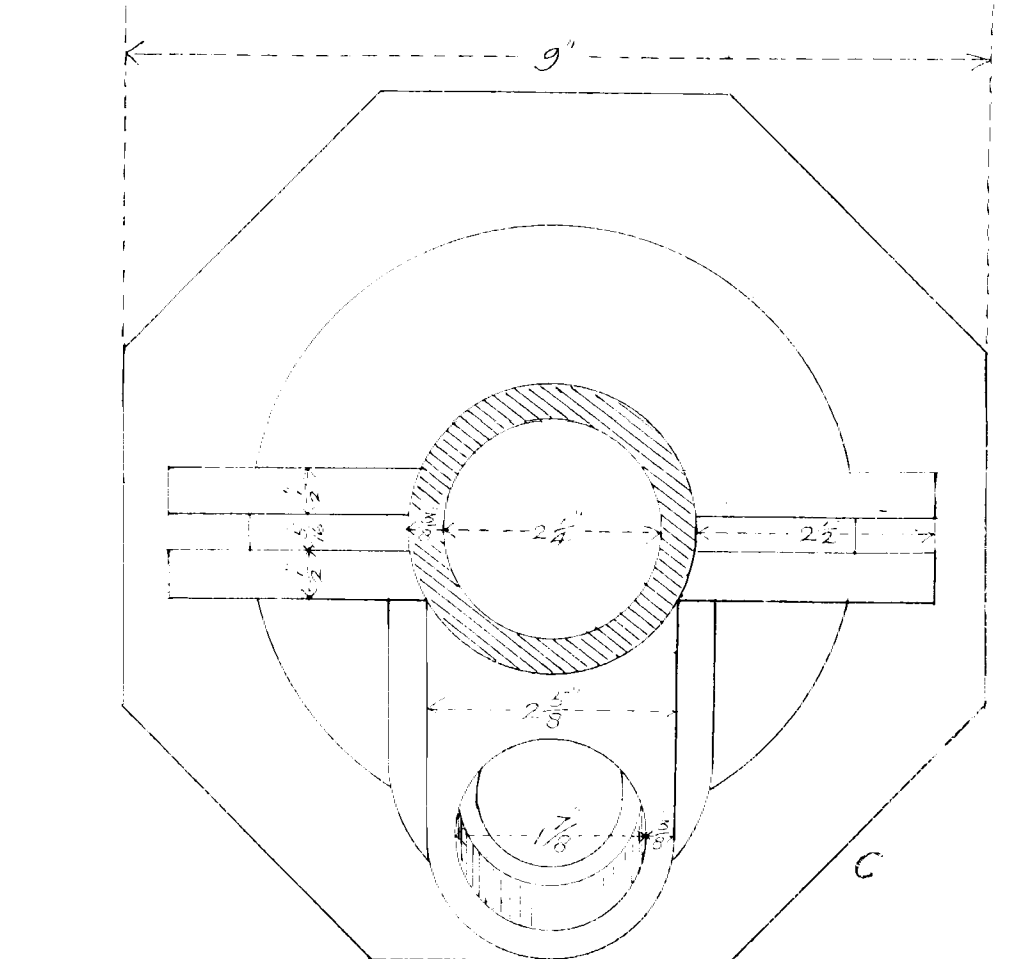
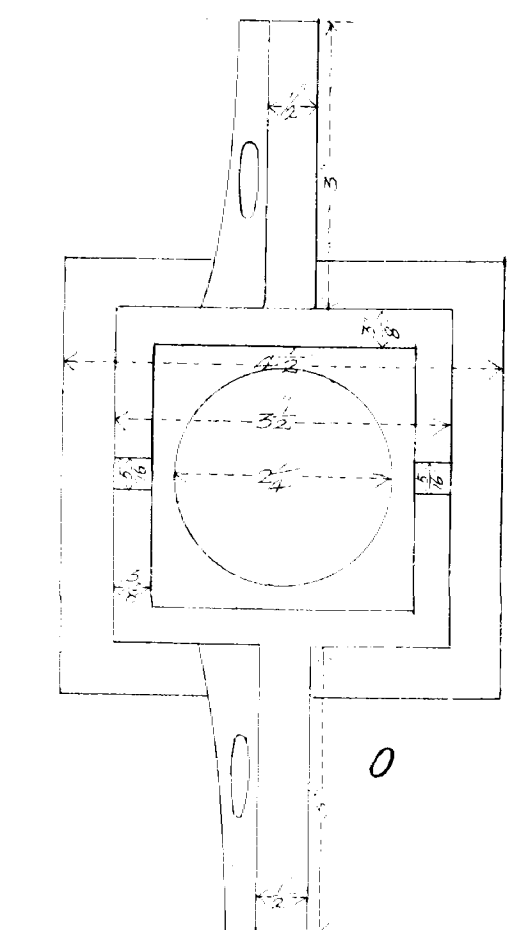
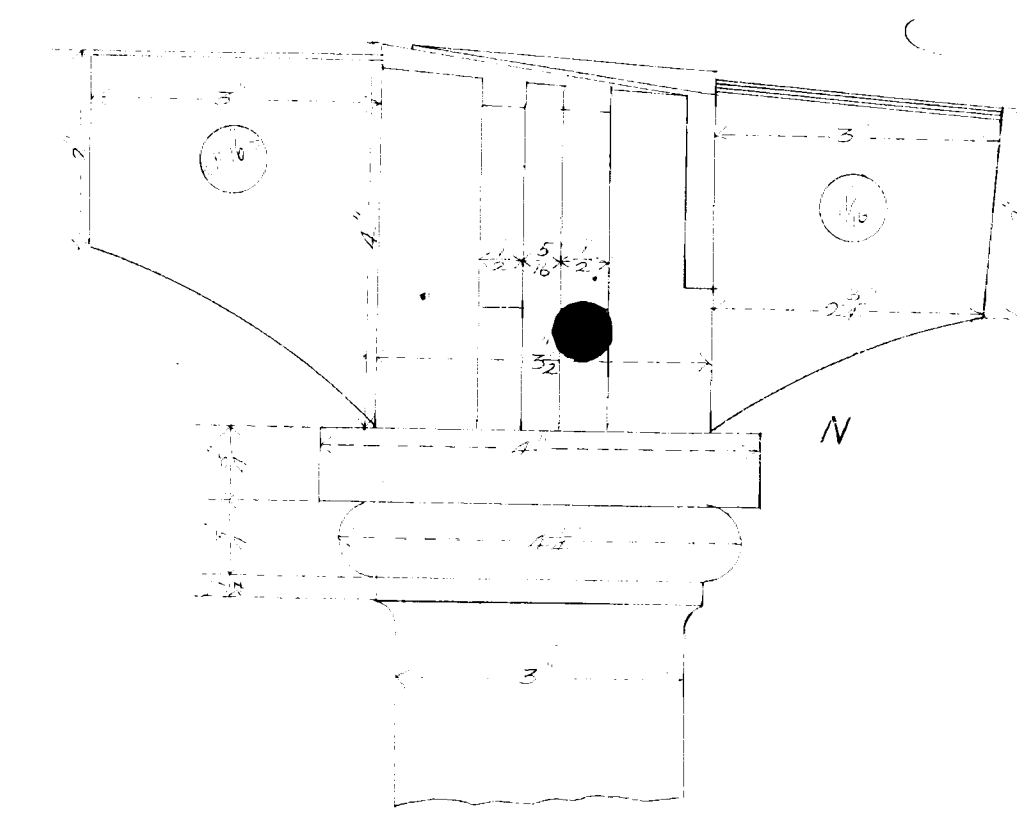
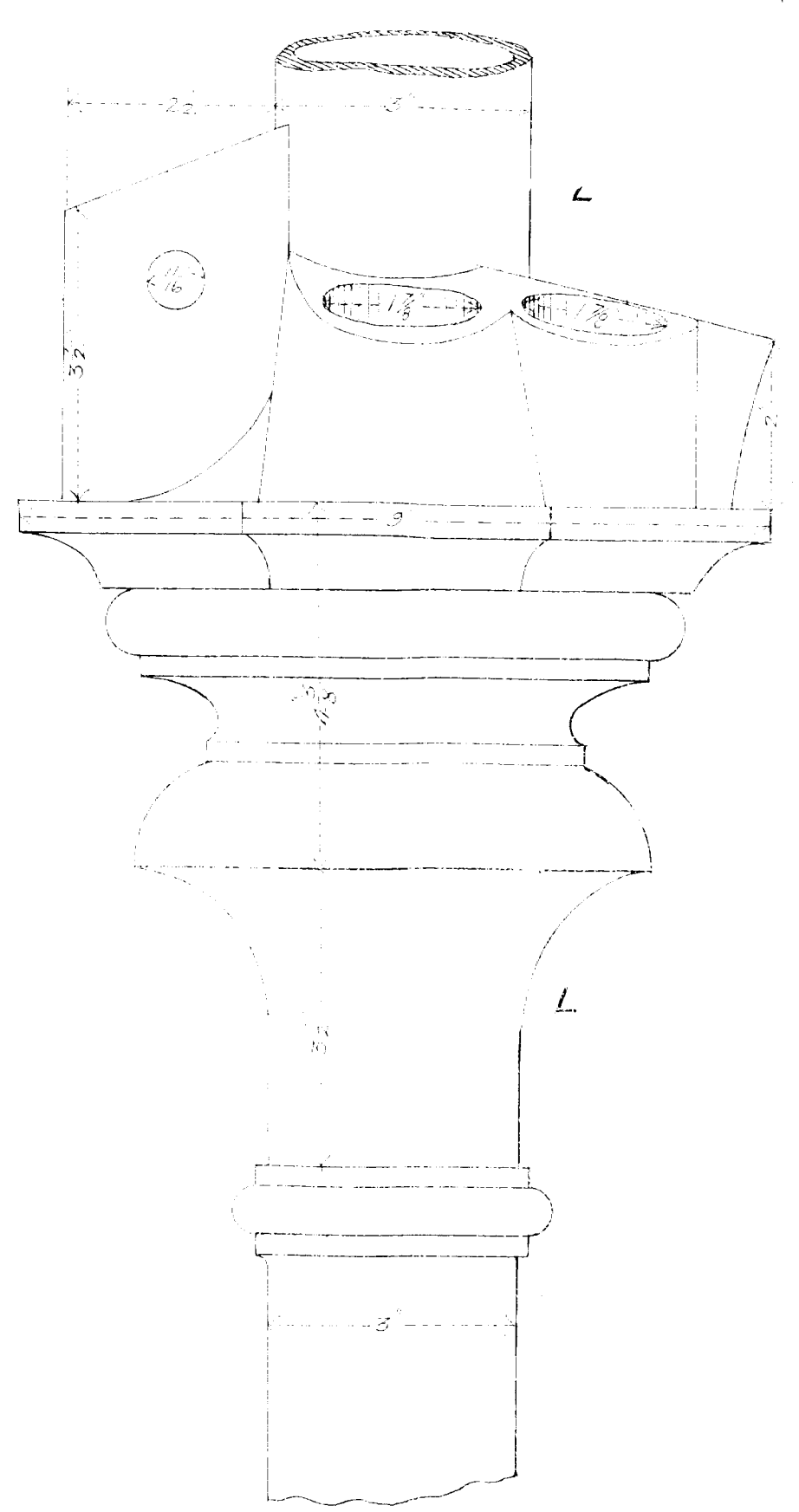
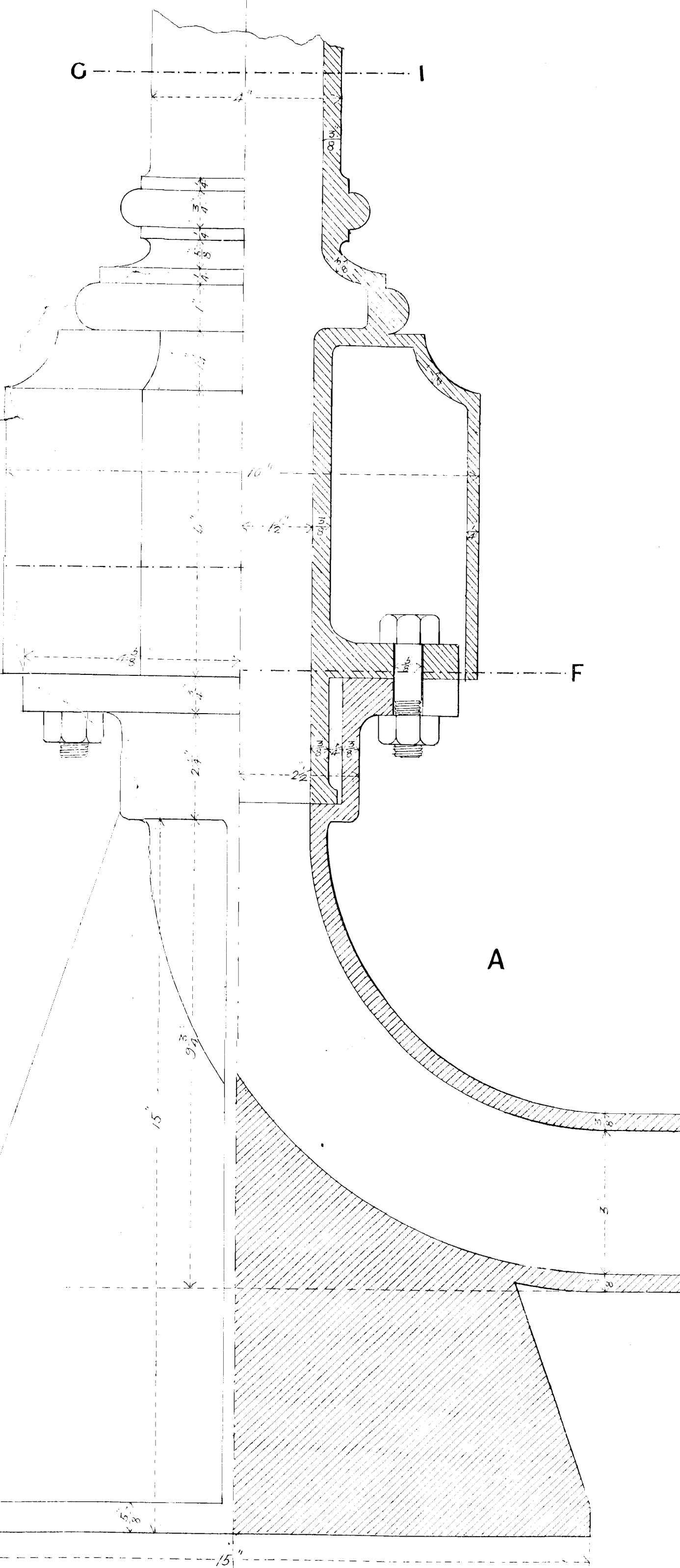
VICTORIAN RAILWAYS.

CONTRACT No 848
DRAWING No 3



Having one of the drawings referred to in the specification after which I issued my Tender dated the
1st day of March 1877.
I do hereby certify that I have
read and approved the
specification and drawings
of the above
works
and that I have
agreed to execute the
same in accordance
with the conditions
therein contained.
Witness my hand and seal
this 1st day of March 1877.
James H. Hoare
Contractor

James H. Hoare



ELEVATION & VERTICAL SECTION

SECTION E-F

APR 1877