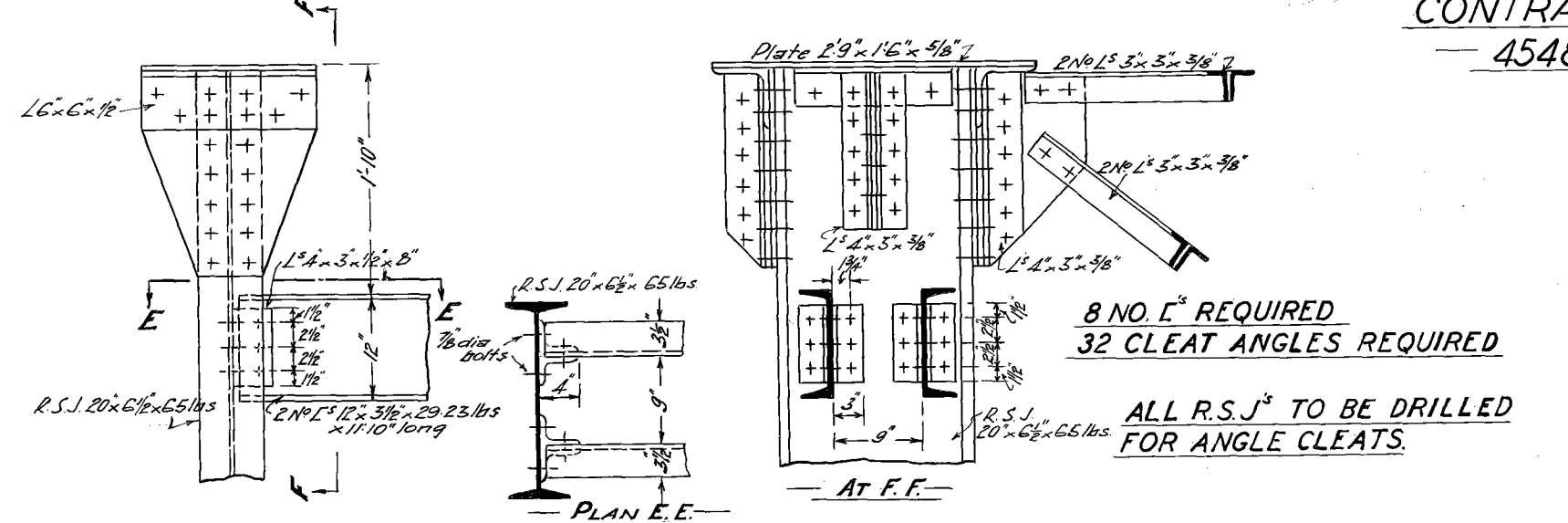
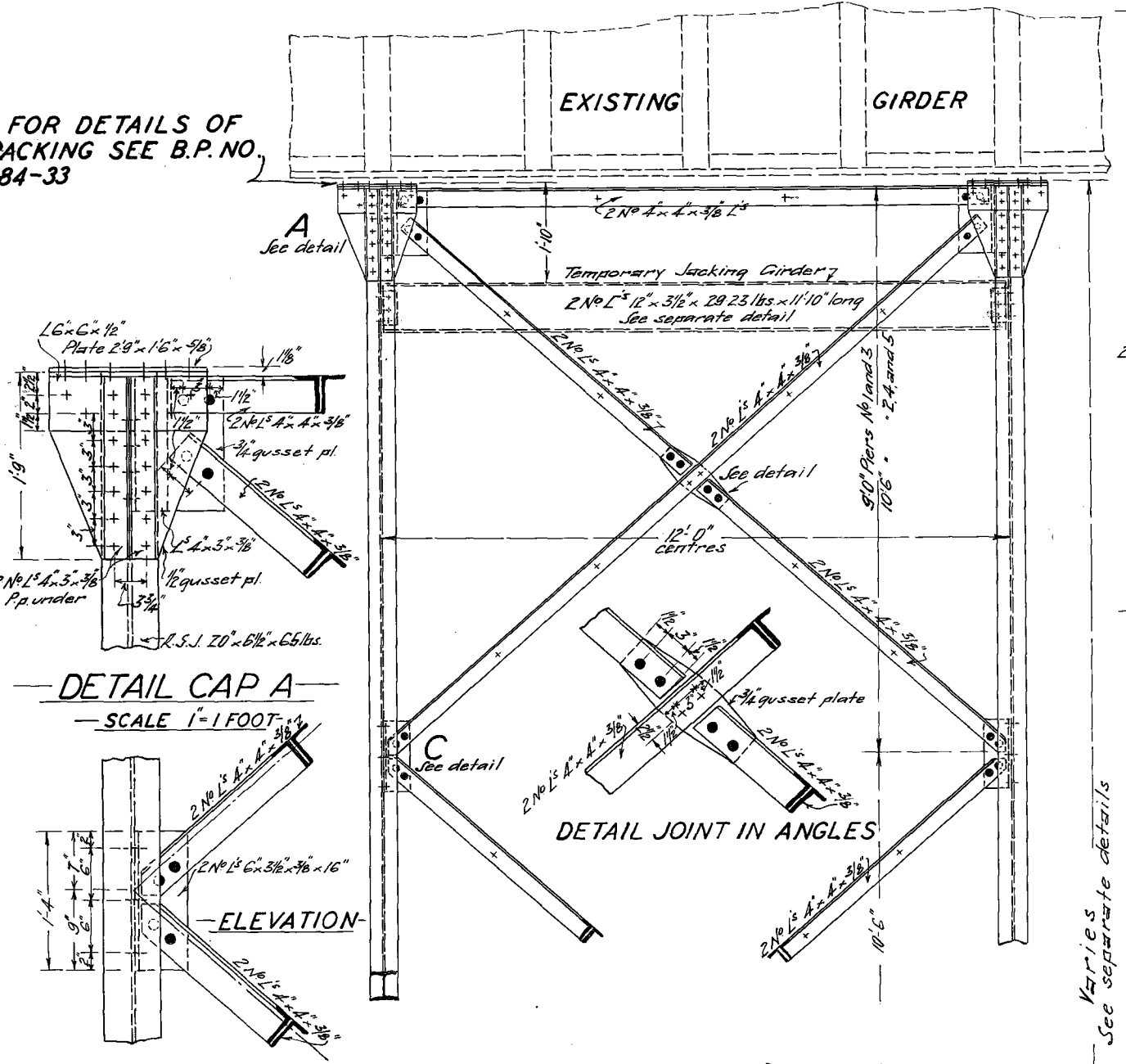


GENERAL ELEVATION
SCALE 1"-20 FEET

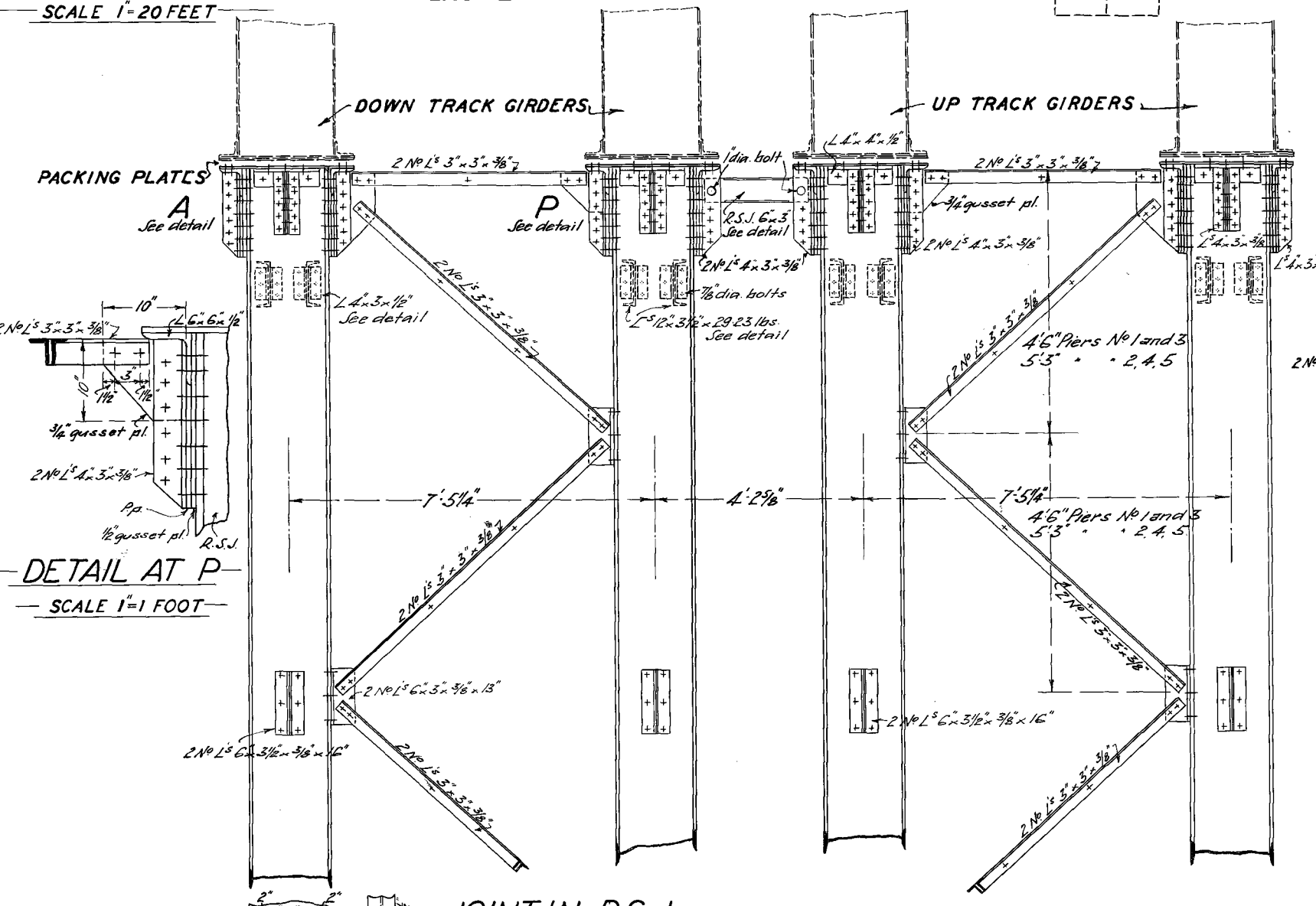


DETAIL FOR JACKING UP MAIN GIRDERS
SCALE 1"-1 FOOT

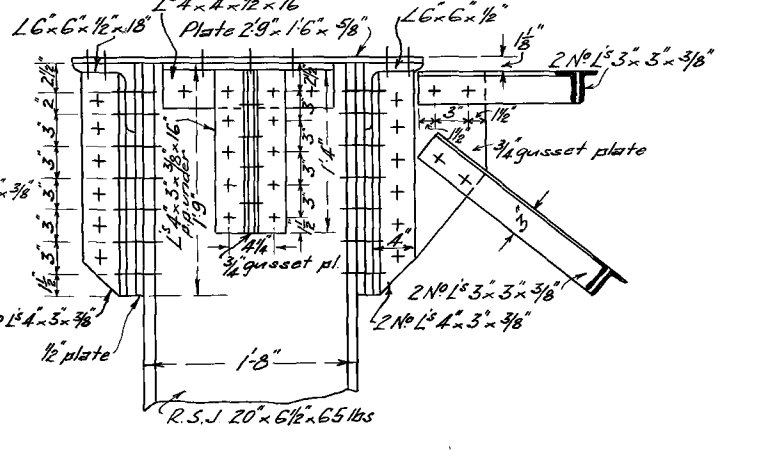
FOR DETAILS OF PACKING SEE B.P. NO. 584-33



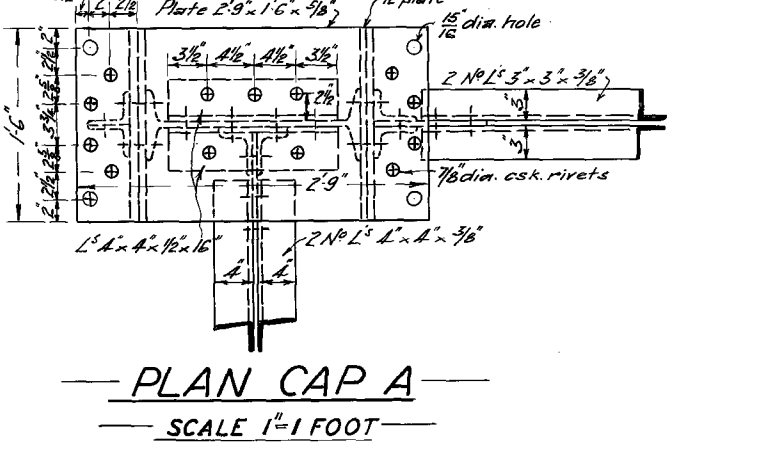
DETAIL AT A
SCALE 1"-1 FOOT



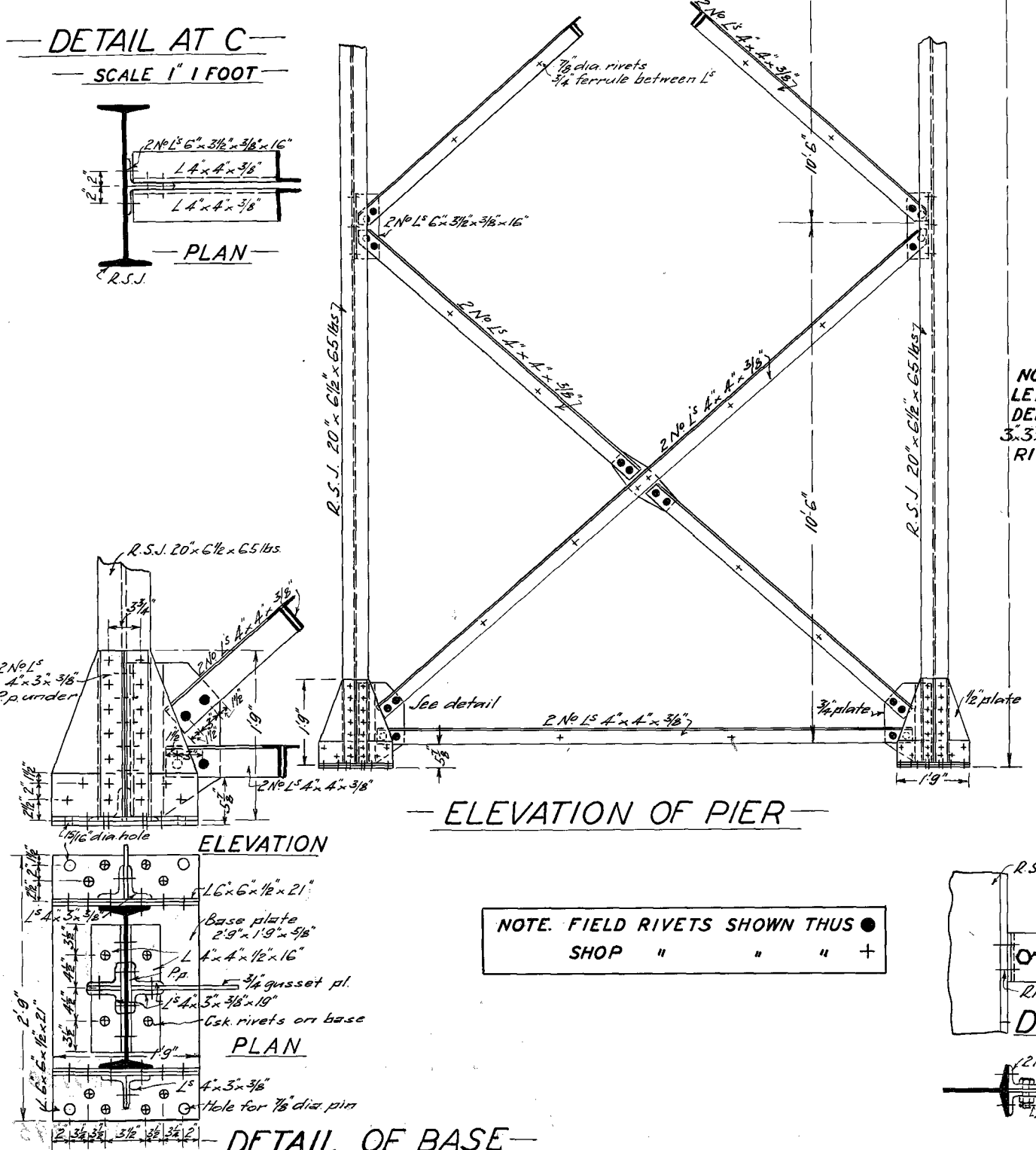
DETAIL AT P
SCALE 1"-1 FOOT



DETAIL CAP A
SCALE 1"-1 FOOT

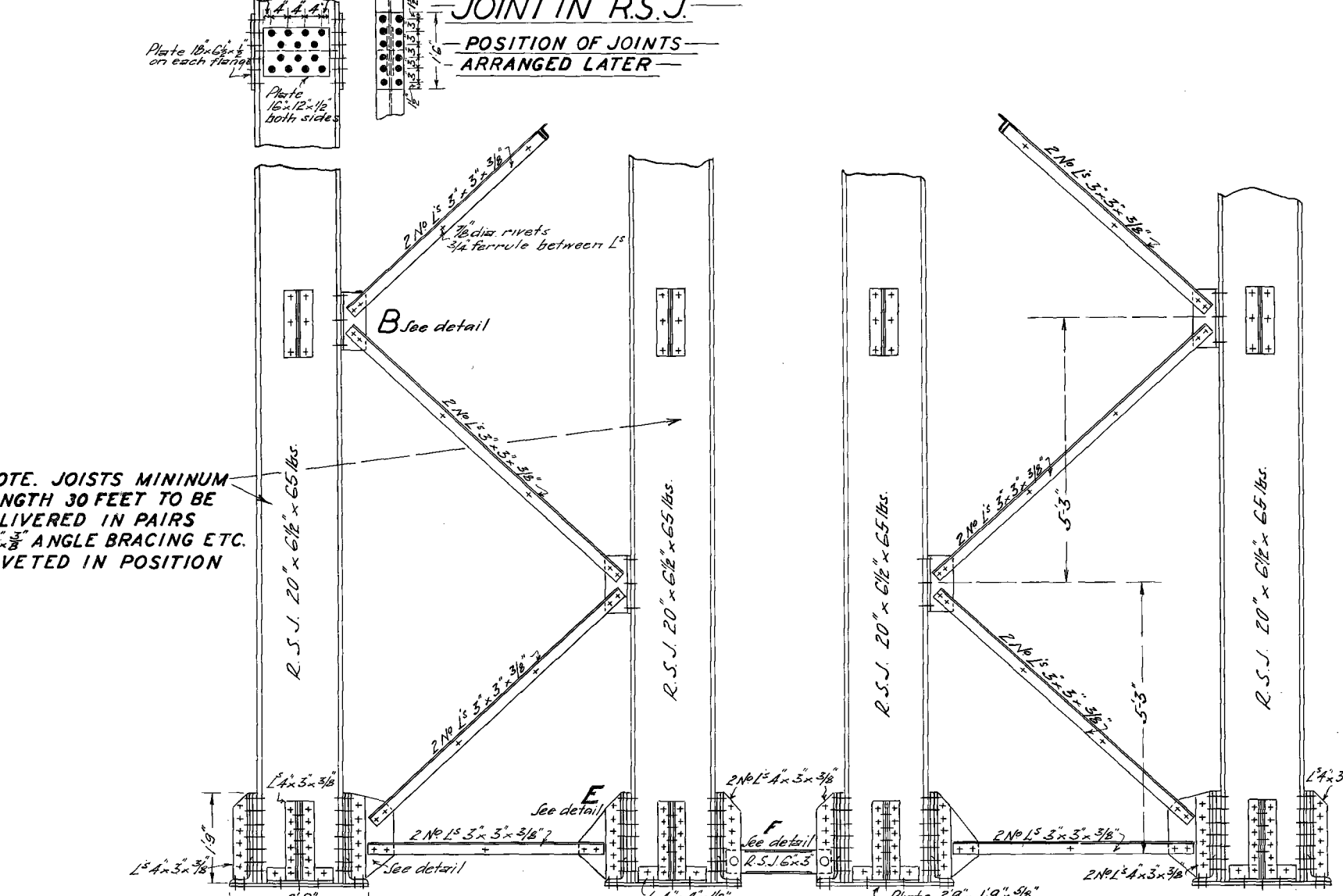


PLAN CAP A
SCALE 1"-1 FOOT

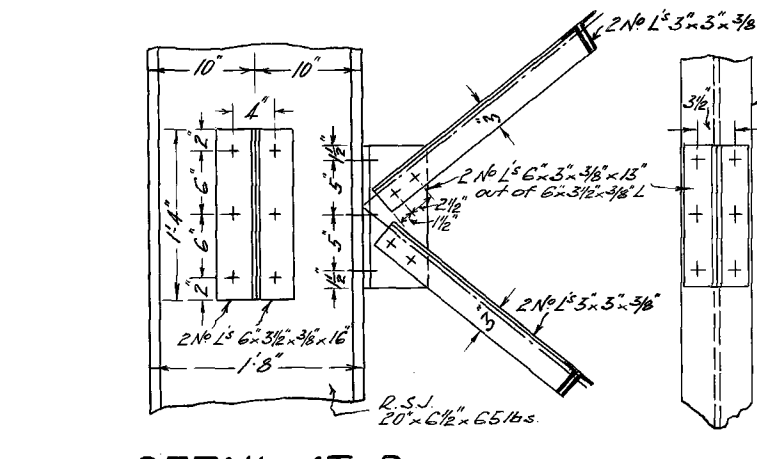


DETAIL AT C
SCALE 1"-1 FOOT

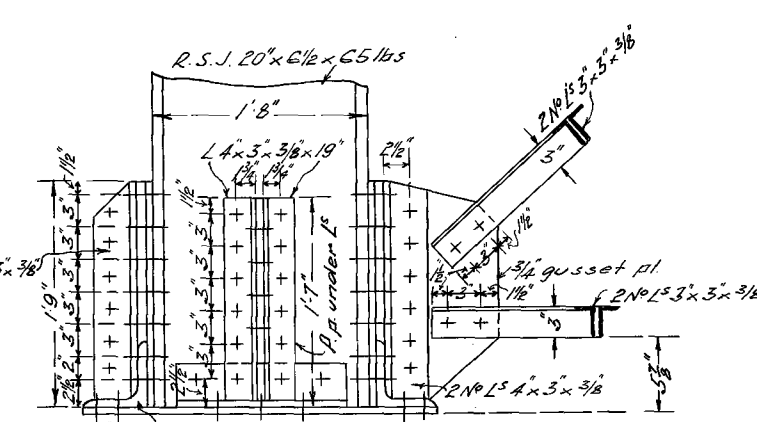
DETAIL OF BASE
SCALE 1"-1 FOOT



ELEVATION OF PIER RIGHT ANGLES TO BRIDGE
SCALE 1/2"=1 FOOT

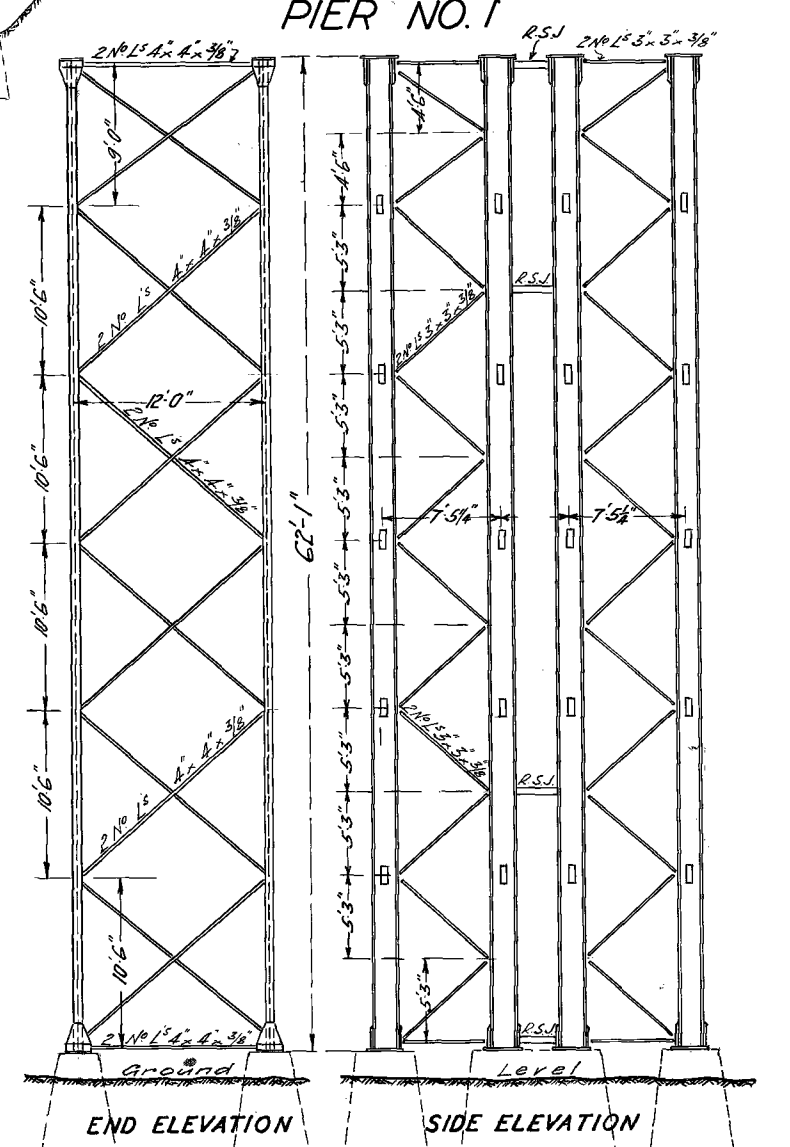


DETAIL AT B
SCALE 1"-1 FOOT

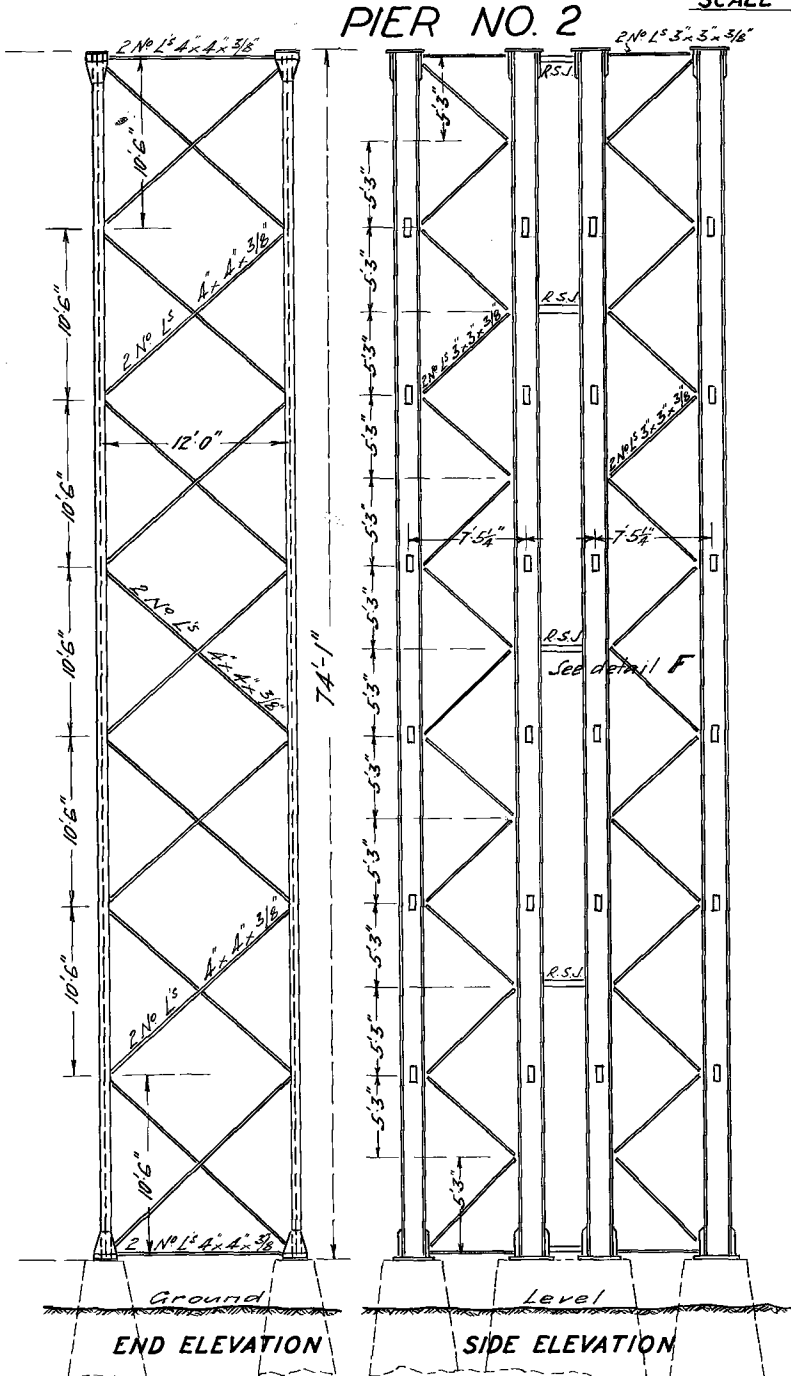


ELEVATION
SCALE 1"-1 FOOT

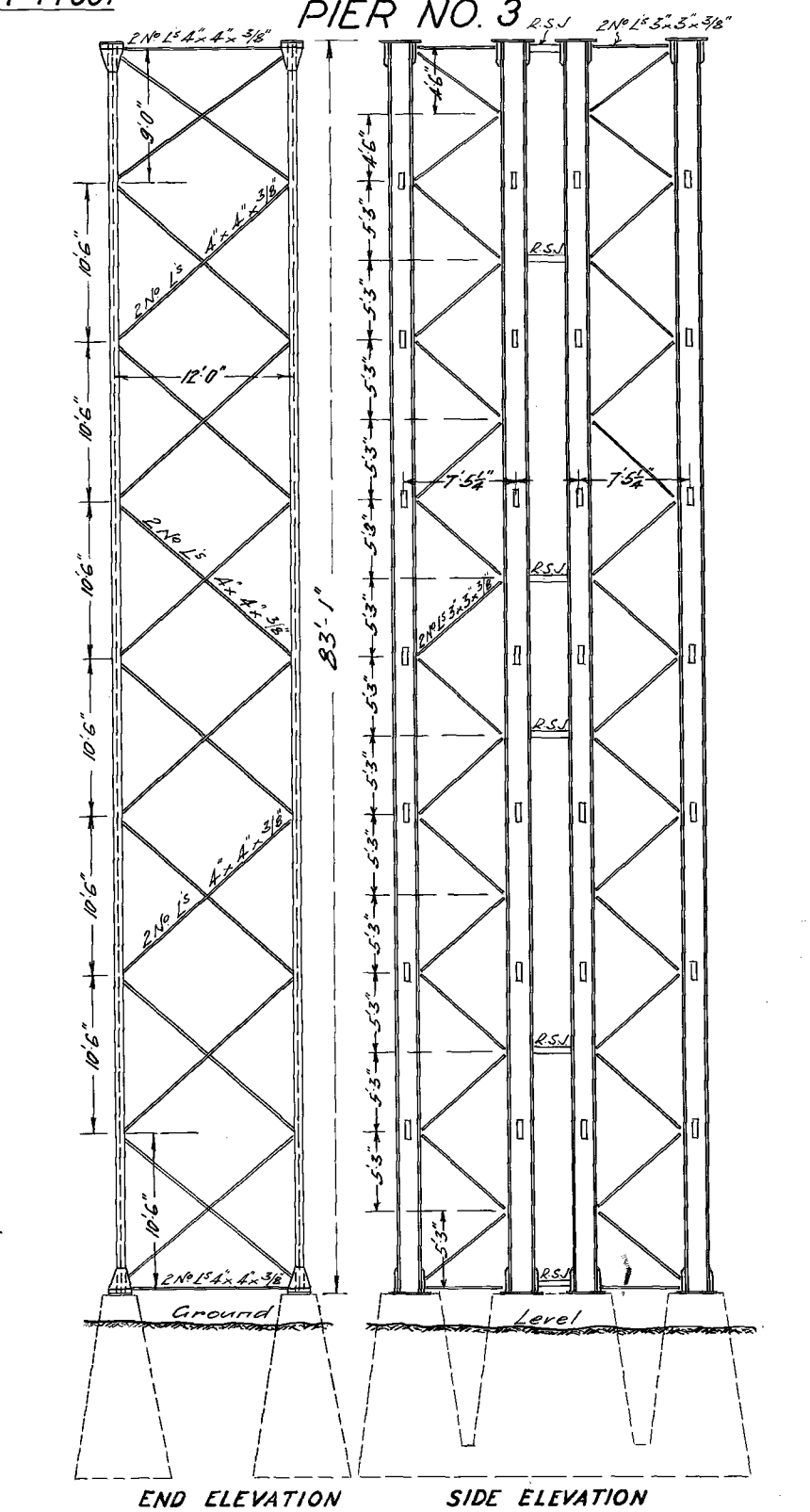
DETAIL OF BASE
SCALE 1"-1 FOOT



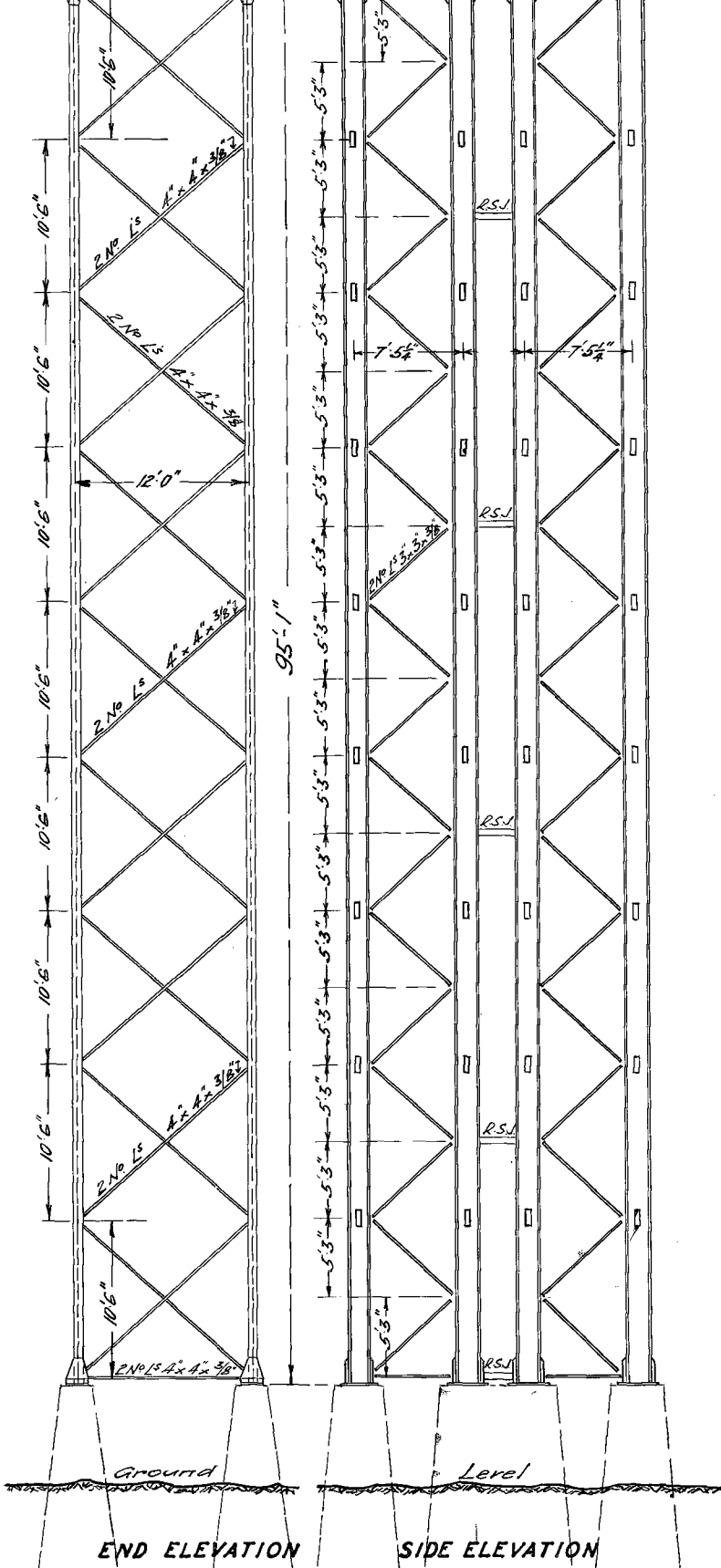
END ELEVATION SIDE ELEVATION
PIER NO. 1



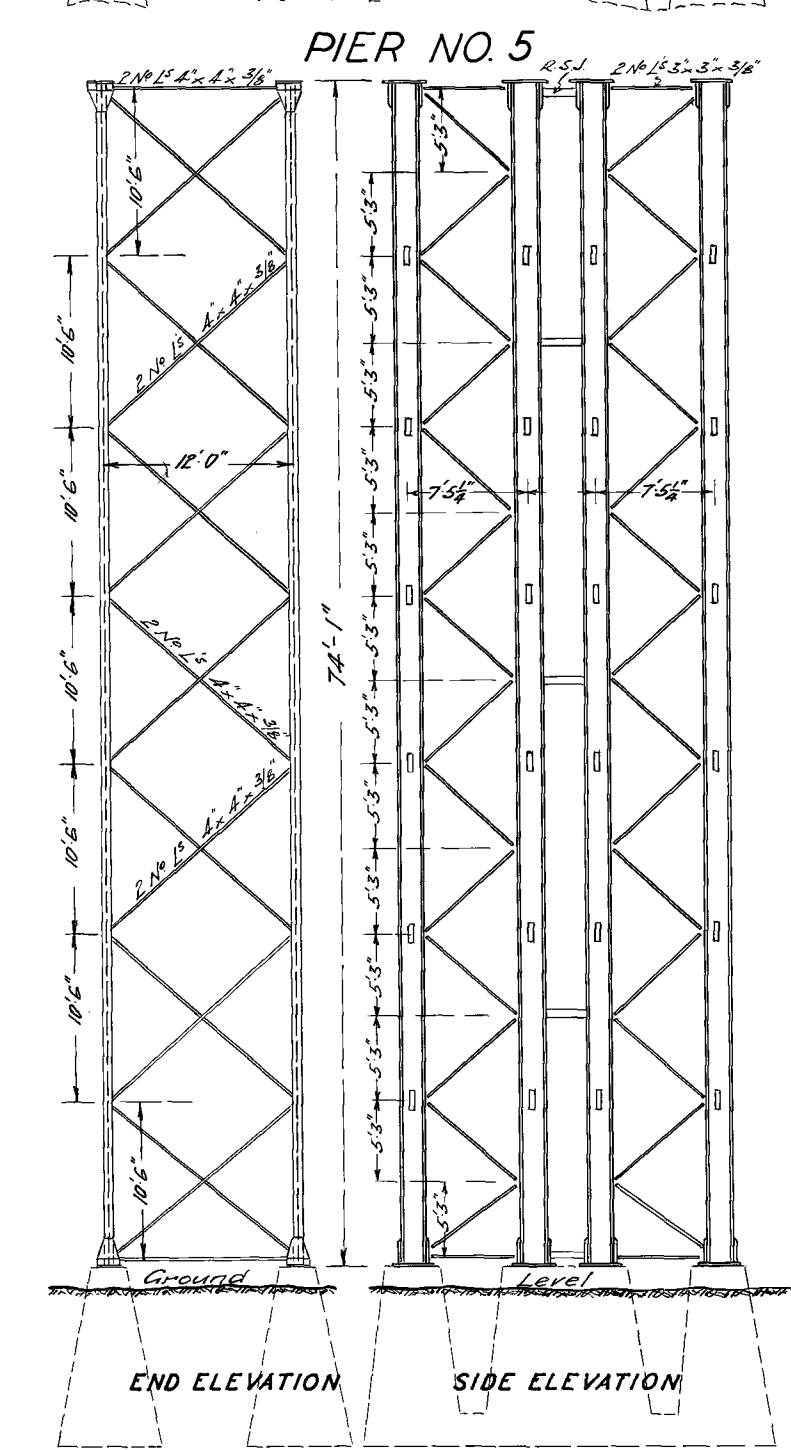
END ELEVATION SIDE ELEVATION
PIER NO. 2



END ELEVATION SIDE ELEVATION
PIER NO. 3



END ELEVATION SIDE ELEVATION
PIER NO. 4



END ELEVATION SIDE ELEVATION
PIER NO. 5

ALL RIVETS 3/8" DIAMETER

NOTE BEFORE PACKING PLATES BETWEEN GIRDERS AND TOP OF NEW STEEL PIERS ARE INSERTED MAIN GIRDERS ARE TO BE JACKED UP AND LOAD DEFLECTION TAKEN OUT

NOTE. FIELD RIVETS SHOWN THUS ● SHOP " " " " +

SEE B.P. NO 481-32 FOR FOUNDATIONS

V. R.
MELBOURNE-BENDIGO LINE
TARADALE VIADUCT
STRENGTHENING BY PROVISION
OF INTERMEDIATE PIERS
AMENDED DETAILS
DRAWN BY CORRES. 6602/29
R. PLANT 2835/29
STRUCTURE EGR.
17-15700
PLAN 15-33