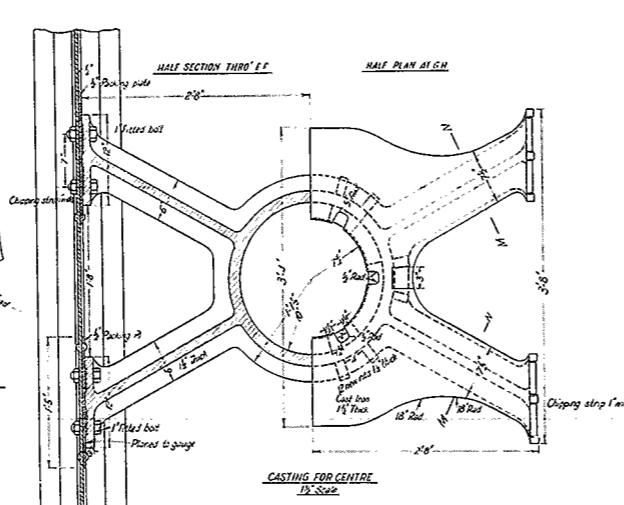
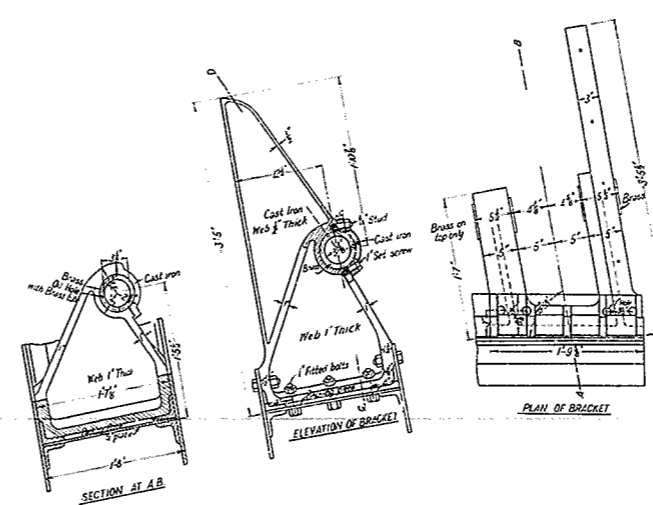


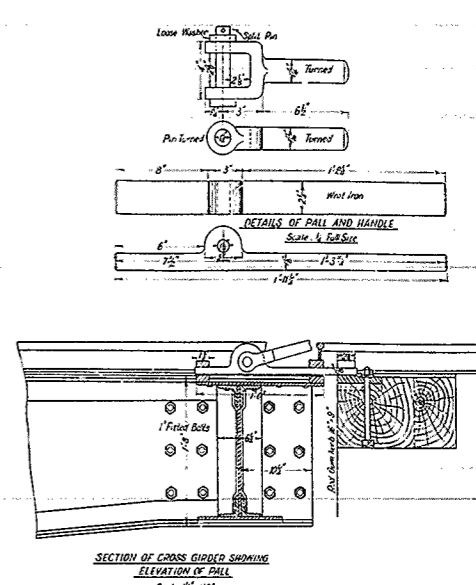
SECTION O-P SHOWING RIBS IN CENTRE CASTING



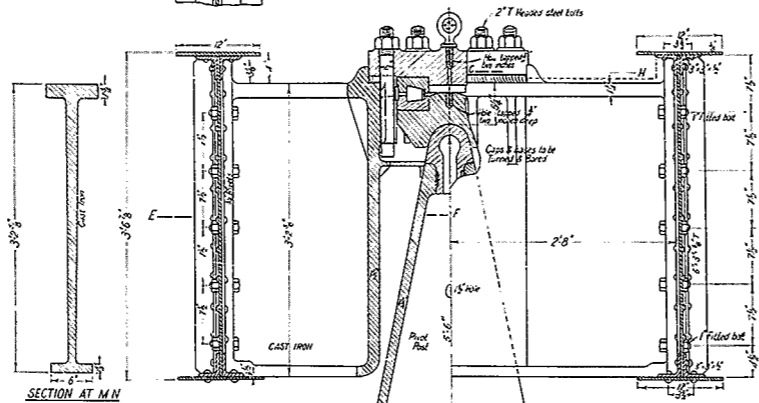
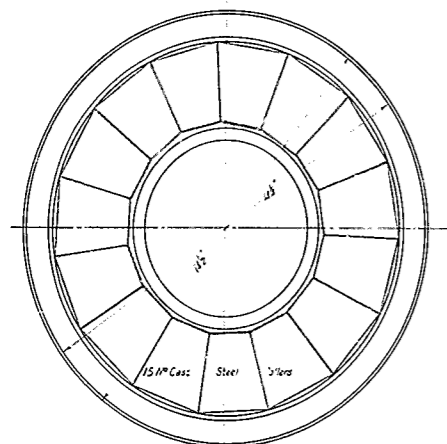
CASTING FOR CENTRE
1/2" Scale



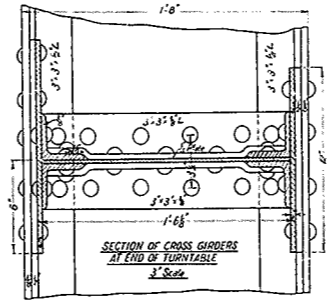
PLAN OF BRACKET



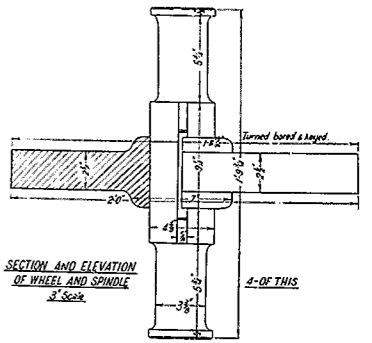
SECTION OF CROSS GIBBER SHOWING
ELEVATION OF PALL
Scale 1/2"-1"



HALF SECTION AT I-J. Scale 1/2"-1" HALF ELEVATION AT K-L



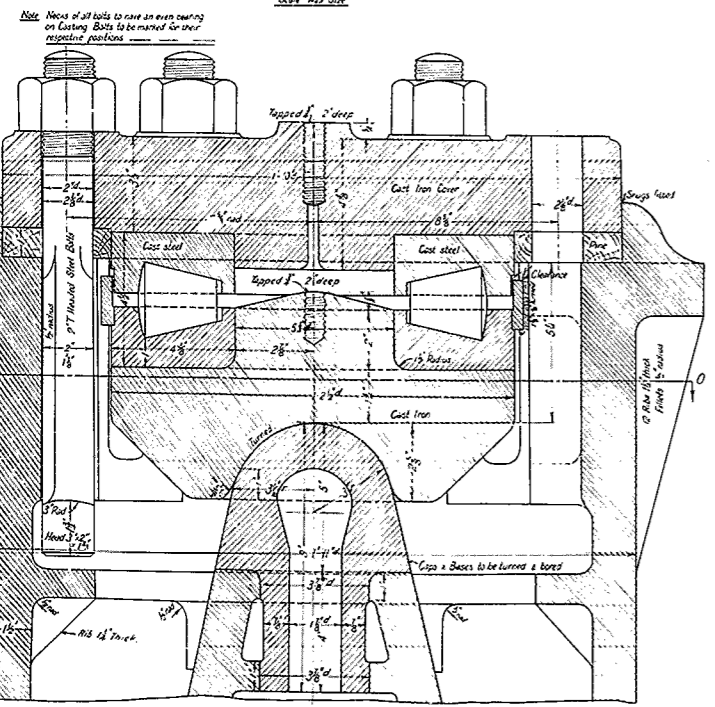
SECTION OF CROSS GIBBER
AT END OF TURNABLE
3/4" Scale



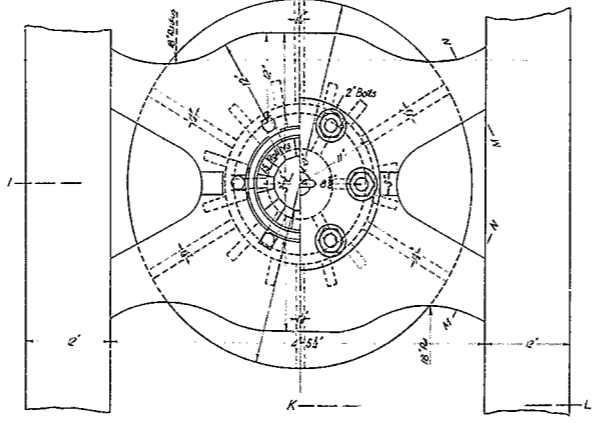
SECTION AND ELEVATION
OF WHEEL AND SPINDLE
3/4" Scale

Note: Ribs and spokes to be turned and faced true to gauges used by the Dept

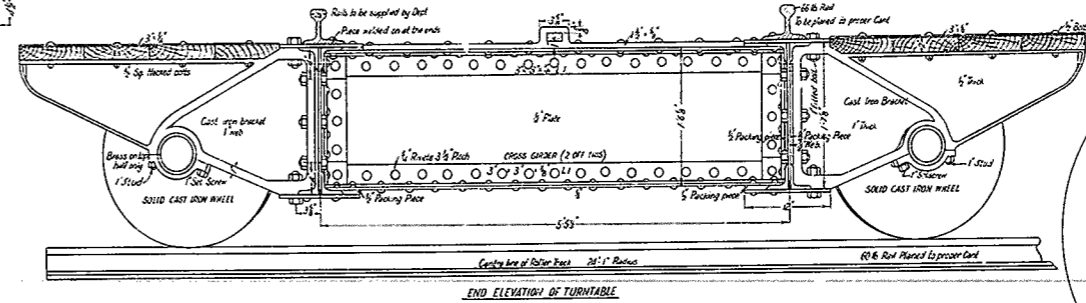
Scale 1/2" Size



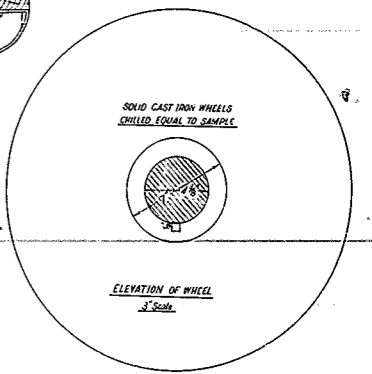
SECTION OF CENTRE PIVOT SHOWING ROLLERS, ROLLER TRACK COVER 8\"/>



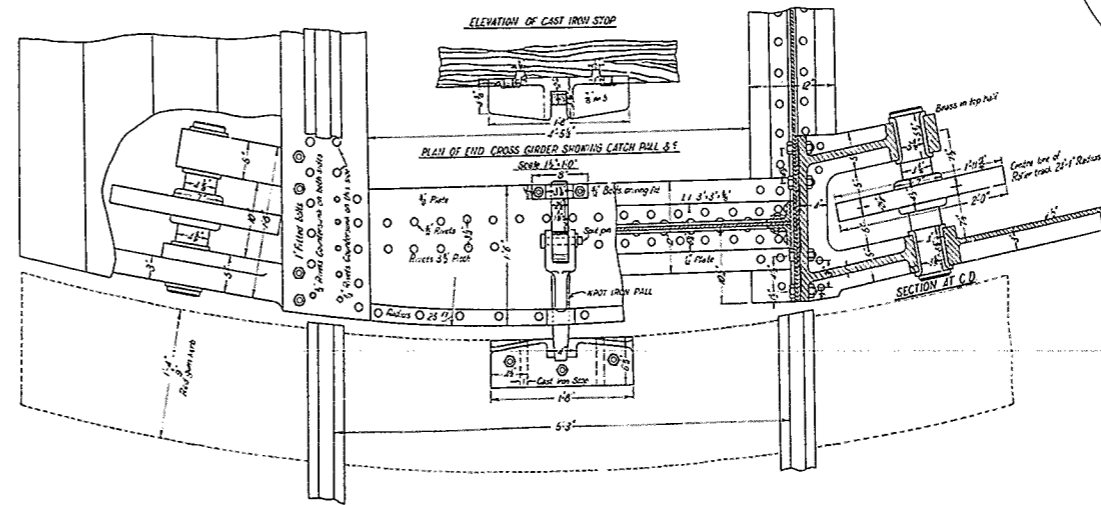
HALF PLAN SHOWING ROLLER BOX
HALF PLAN OVER ALL
SHOWING SECTION OF CAST IRON COVER



END ELEVATION OF TURNABLE



ELEVATION OF WHEEL
3/4" Scale



ELEVATION OF CAST IRON STOP

PLAN OF END CROSS GIBBER SHOWING CATCH PALL & E
Scale 1/2"-1"

SECTION AT C-D

-VR-
50 FT TURNABLE
DETAILS OF CASTINGS

TT-120
A-17
PLAN NO
43-52

Traced from Litho 711-14